



Mobile holders for DR detectors & cassettes

1330/3, 1330/4 & 1330/5 (registered design No.001036594)

Quickly and accurately position portable DR panels, CR, DR cassettes & film cassettes

These versatile Kenex holders can be used with portable DR panels, CR, DR and film cassettes/grids from 24 x 30 cm to 35 x 43 cm and up to 3 cm thick. They roll smoothly on large quick locking castors and facilitate examinations in accident & emergency departments, operating rooms and radiographic rooms. The heavy duty base gives a low centre of gravity, which helps provide a precise, stable and safe imaging platform. Vertical movements are counterbalanced for simple and quick height adjustments.

The holder is particularly suitable for cross-table views, sometimes with the DR panel or cassette positioned slightly below the table top to eliminate image cut-off. It also assists in acquiring fast skyline views of the patellar, or effective views of the shoulder with the patient on the table or in a chair.

The sides of the holder can be quickly extended or retracted to secure different sizes. These telescopic adjustments present a compact platform with no protruding parts. The holder can be turned, tilted and orientated to suit any desired examination position. It can therefore be placed above, beside, below or beneath a table or trolley. It is adjustable for height from floor level to 129 cm (measured from the lower edge of the DR panel or cassette), and can overhang the x-ray or operating table by up to 62 cm.

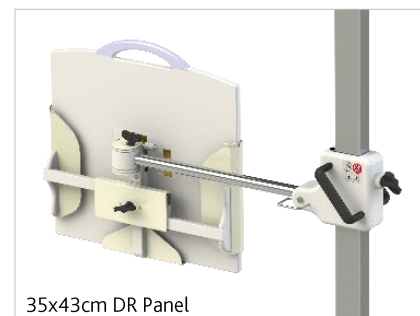
Properties:

- > Stable and compact design holds all portable DR panels and cassettes safely in place.
- > Eliminates retakes caused by improvised positioning.
- > Unlimited orientation for universal positioning possibilities.
- > For cassettes/image receptors up to 3 cm thick.
- > Telescopic width adjustment for cassettes/image receptors from 24.5 cm to 53.5 cm
- > Height adjustable from floor level to 129 cm.
- > Overhangs table or trolley by up to 62 cm.
- > Counterbalanced for easy raising or lowering.
- > Three versions:
 - 1330/3 for weights < 6.7 kg
 - 1330/4 for weights < 4.2 kg
 - 1330/5 for weights < 2.5 kg
- > Twin wheel 12.5 cm diameter castors, with combined swivel/rolling brakes, have cable push-away guards.
- > Smooth easy to clean hardwearing surfaces.
- > Base measurements 67 cm deep x 61 cm wide.
- > Height measurements 179 cm.

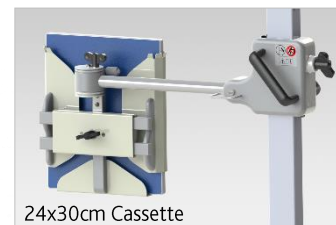
Applications include Radiology, Urology, Surgery and Emergency Rooms.



Telescopic width adjustment



35x43cm DR Panel



24x30cm Cassette



Standard - IEC 60601-1 3rd edition

Kenex holders are designed & manufactured in compliance with the requirements for safety and essential performance of medical equipment. An instability test, included in the above standard, requires that all mobile equipment should remain stable when tilted at an angle of no more than 5°. Even when supporting a load of 7 kg at the maximum height, these Kenex holders will not overbalance until tilted at 22°. This feature ensures that expensive DR panels or other image receptors can be used and positioned without the risk of the unit tipping over.

Versions

- > **1330/3** Counterbalanced for a 6.7 kg weight and generally used with heavier portable DR detector panels.
- > **1330/4** Counterbalance for a 4.2 kg weight and generally used for lighter & thinner cassette size portable DR detectors and CR or film cassettes.
- > **1330/5** Counterbalance for a 2.5 kg weight and generally used for even lighter & thinner cassette size portable DR detectors and CR or film cassettes.

Weights & dimensions

Transport packaging details: -

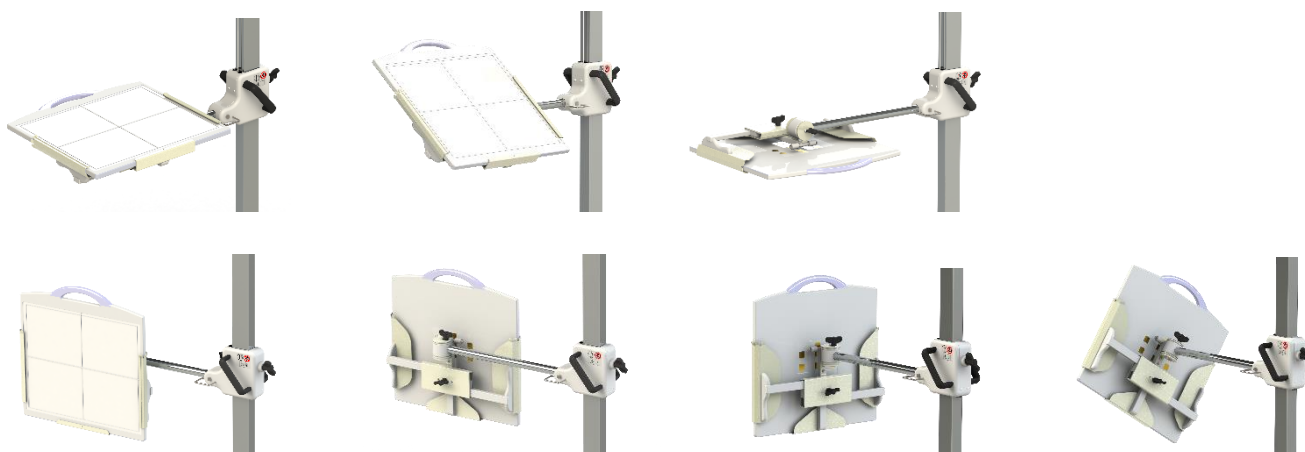
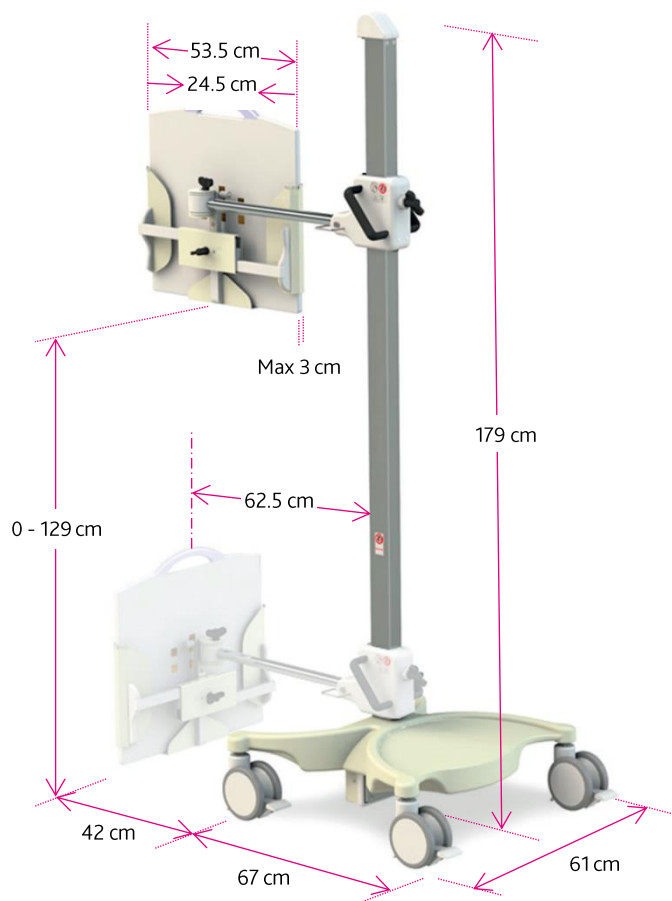
Box 1: Export packed base, **78 x 74 x 36 cm, 45 kg**

Box 2: Export packed column & holder, **204 x 41 x 37 cm, 22 kg**

Nett weight: **55 kg**

Positioning possibilities

Stable view from any angle with unlimited orientation for universal positioning



Quality management systems and certification

Kenex is certified to ISO 13485:2003 & ISO 9001:2008 for the design & manufacture of medical devices, and certified to EU-Directive 89/686/EEC for personal protective equipment. Kenex has in place methodology for indentifying, addressing and evaluating risk in accordance with standard ISO 14971:2007. All Kenex products are CE certified. Copyright © 12.2011 Kenex (Electro-Medical) Limited. All rights reserved.