

# Mobile LED Operating lamp

150/430/1300 (LED 150F lamp with power supply, suspension arm and 4 leg mobile base)

## Focusable LED operating lamp

The LED 150F is a small operating lamp with the advantage of variable focusing. The 100,000 Lux light intensity provides colour rendering indexes  $R_a$  above 95 and  $R_9$  (red) above 90. This enables a surgeon to clearly determine the smallest nuances in wound tissue colour and helps reduce eye fatigue. The LED technology used, ensures greatly reduced operating temperatures compared with traditional halogen bulbs, meaning temperature rise at the operators head area is almost undetectable.

The multiple facetted lenses provide a homogenous light field. The light can be easily focused by turning the sterilisable handle, enabling illumination of the deepest wound. Both power, and light intensity are controlled from the lamp head.

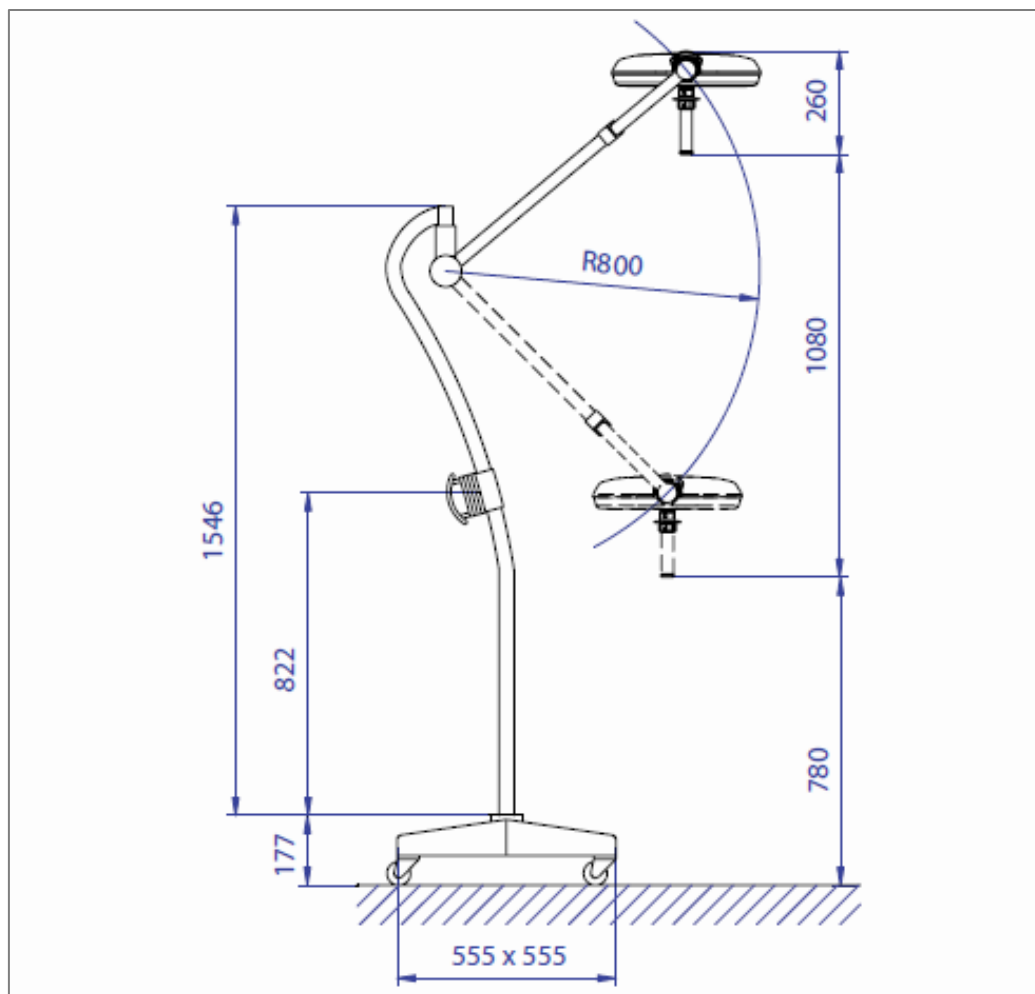


## Features

- > Light intensity at 1 metre: 100,000 Lux
- > Colour rendering index  $R_a$  95
- > Colour rendering index  $R_9$  90
- > Focusable light field size: 16cm to 25 cm
- > Colour temperature: 4300 Kelvin
- > Temperature increase at head area: 0.5 °C
- > Total power consumption: 35W
- > Light source: 26 LED's
- > Electronic light intensity control at lamp head: 50% to 100%
- > Life span of over 50,000 hours
- > Diameter of lamp head: 38 cm
- > Detachable sterilizable handle included



## Technical Specifications



### Included:

- Power supply
- LED 150F lamp head
- Suspension arm
- Four castor mobile base and suspension arm support