

LED 2MC Operating Lamp

180/230/01 - LED 2MC (multi-colour) lamp with power supply and suspension arm
For use with a Kenex ceiling mounted x-ray radiation shield

Focusable LED operating lamp

The 2MC LED (multi-colour) lamp, is a powerful operating light which benefits from variable focusing and integrated electronic keypad. The 115,000 Lux light intensity provides a colour rendering index of Ra 96. This enables a surgeon to clearly determine the smallest nuances in wound tissue colour and helps reduce eye fatigue. The LED technology used, ensures greatly reduced operating temperatures compared with traditional halogen bulbs, meaning temperature rise at the operators head area is almost undetectable.

Separately arranged optical systems, each with four LED modules, generate their own light field thereby increasing the contrast effect of the light. The ability to increase the light intensity of the central section enables enhanced illumination of narrow and deep wounds. The use of different coloured LEDs makes it possible to change the light colour depending upon the wound field and tissue type. The multiple faceted lenses provide a homogenous light field which is controlled by turning the sterilisable handle. The light intensity and on/off switch are operated from the lamp head.

Features

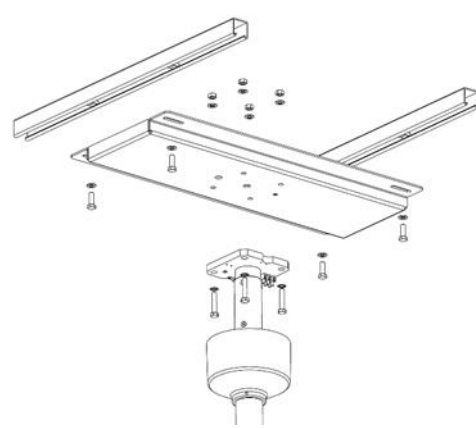
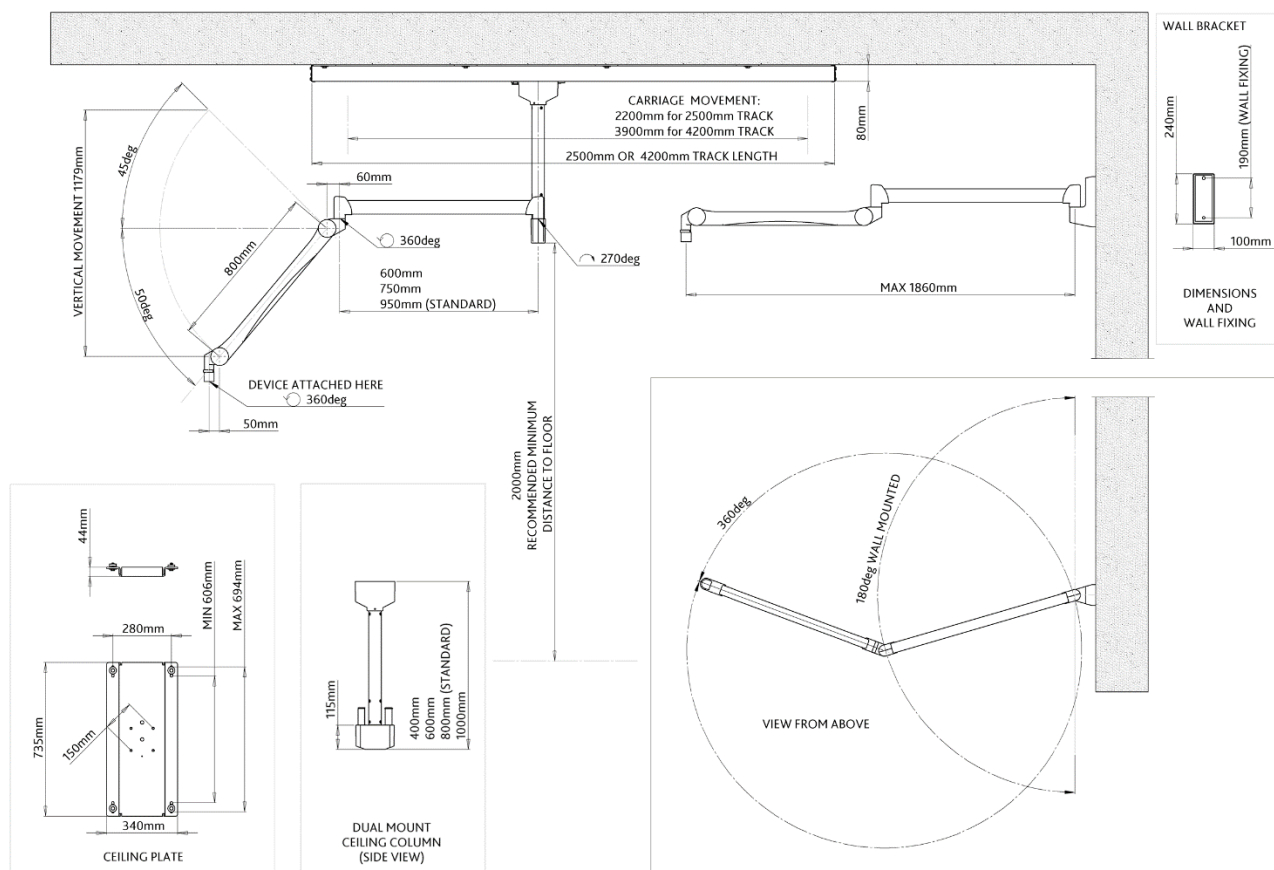
- > Colour rendering index Ra 96
- > Focusable light field size: 17 cm to 28 cm
- > Light intensity at 1 metre distance: 115,000 Lux
- > Working distance: 60 cm to 150 cm
- > Colour temperature adjustable: 3750, 4000, 4250, 4500, 4750 Kelvin
- > Temperature increase at head area: 0.5 C
- > Total power consumption: 70 W
- > Light source: 84 LED's
- > Life span of over 50,000 hours
- > Electronic light intensity control at lamp head: 5% to 100%
- > Diameter of lamp head: 49 cm
- > Laser pointer included
- > Wall panel control optionally available
- > Detachable sterilizable handle included



Model 180/230/01 is supplied with a two-part suspension arm allowing versatile movement. The arm can be mounted onto the spare pivot of a ceiling column (separately supplied) which carries a radiation shield. A ceiling column can be attached to a load bearing ceiling or via a suspended ceiling (different installation aids are available to suit differing site conditions – see over). Alternatively, a ceiling column can be directly attached to the movable carriage of a 2.5m or 4.2m ceiling track (available separately) with lamp cables contained and managed within a separately supplied flexible energy chain. These options enable the complete assembly to move into and out of the working area as required.



Technical Specification



Equipment weights & part numbers

Included:

- Power supply in housing
- LED 2MC lamp head: **12.5 kg** (approximately)
- Suspension arm (with 950 mm long horizontal beam): **9 kg**

Optional equipment:

- Dual mount ceiling column:
 - 40 cm (#300/COLUMN/40): **10.2 kg**
 - 60 cm (#300/COLUMN/60): **11.5 kg**
 - 80 cm (#300/COLUMN-2): **12.8 kg**
 - 100 cm (#300/COLUMN/100): **14.1 kg**
- Ceiling track & carriage:
 - 2.5 m (#3001/TC/250): **50 kg**
 - 4.2 m (#3001/TC/420): **72 kg**
- Track cable management:
 - 2.5 m (#3001/TC/250/EC)
 - 4.2 m (#3001/TC/420/EC)
- Additional track carriage:
 - For use in 2.5 m or 4.2 m track (#3001/3.25): **4.6 kg**

Optional installation aids:

- Ceiling column anchorage plate #300/P/004 (shown above attaching to ceiling rails with separately supplied ceiling column)
- Ceiling void installation kits #300/P/012 & #300/P/014

