

# LED Examination Lamp

300/L-LED130F (LED 130F lamp with power supply and suspension arm)

For use with a Kenex ceiling mounted radiation shield

## Focusable LED examination lamp

The LED 130F is a small examination lamp with the advantage of variable focusing. The 70,000 Lux light intensity provides colour rendering index  $R_a$  95. The multiple faceted lenses provide a homogenous light field which can be easily focused by turning the sterilisable handle.

Both power and light intensity are controlled from the lamp head. The LED technology used, ensures greatly reduced operating temperatures compared with traditional halogen bulbs, meaning temperature rise at the operators head area is almost undetectable.

## Features

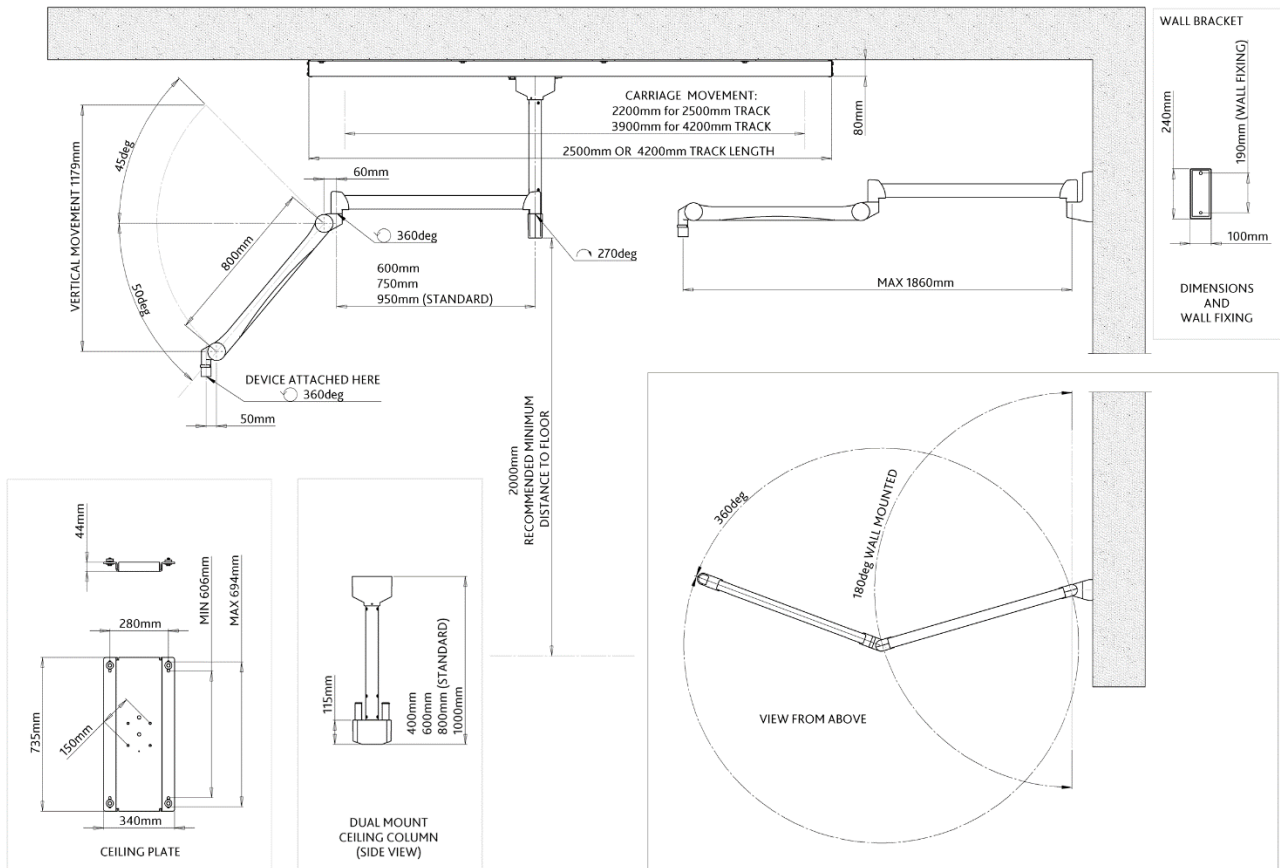
- > Light intensity at 1 metre: 70,000 Lux
- > Electronic light intensity control  
at lamp head: 50% to 100%
- > Colour rendering index  $R_a$  95
- > Focusable light field size: 14cm to 25 cm
- > Colour temperature: 4300 Kelvin
- > Temperature increase at head area: 0.5 °C
- > Total power consumption: 28W
- > Light source: 19 LED's
- > Life span of over 40,000 hours
- > Diameter of lamp head: 33 cm
- > Detachable sterilizable handle included



Model 300/L-LED130F is supplied with a two part suspension arm allowing versatile movement. The arm can be mounted onto the spare pivot of a ceiling column (separately supplied) which carries a radiation shield. A ceiling column can be attached to a load bearing or suspended ceiling (different installation aids are available to suit differing site conditions – see over). Alternatively, a ceiling column can be directly attached to the movable carriage of a 2.5m or 4.2m ceiling track (available separately) with lamp cables contained and managed within a separately supplied flexible energy chain. These options enable the complete assembly to move into and out of the working area as required.



## Technical Specifications



## Equipment weights & part numbers

### Included:

- Power supply in housing
- LED 130F lamp head: **2 kg** (approximately)
- Suspension arm: **9 kg**

### Optional equipment:

Dual mount ceiling column:

- 40 cm (#300/COLUMN/40): **10.2 kg**
- 60 cm (#300/COLUMN/60): **11.5 kg**
- 80 cm (#300/COLUMN-2): **12.8 kg**
- 100 cm (#300/COLUMN/100): **14.1 kg**

Ceiling track & carriage:

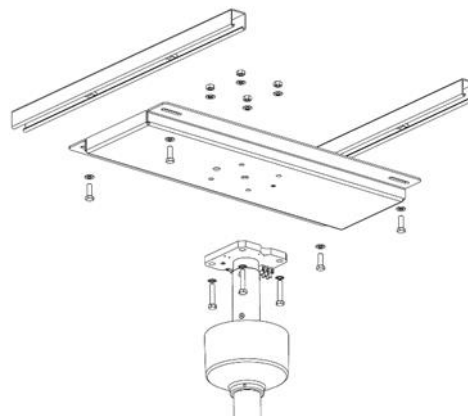
- 2.5 m (#3001/TC/250): **50 kg**
- 4.2 m (#3001/TC/420): **72 kg**

Track cable management:

- 2.5 m (#3001/TC/250/EC)
- 4.2 m (#3001/TC/420/EC)

Additional track carriage:

- For use in 2.5 m or 4.2 m track (#3001/3.25): **4.6 kg**



### Optional installation aids:

- Ceiling column anchorage plate #300/P/004 (shown above attaching to ceiling rails with separately supplied ceiling column)
- Ceiling void installation kits #300/P/012 & #300/P/014