

Lower body x-ray shield

312/DS-039/1 & variants

Table mounted – with optional detachable top shields

Table mounted shield with optional detachable top shields (compatible with optional 57 cm & 27 cm wide detachable top shields)

These lower body shields substantially reduce exposure to scatter radiation emanating from the table or patient's body. The primary shield (312/DS-039/1) comprises a lightweight and durable structure, with middle link and pivotal arm supporting a flexible lead curtain. Optional semi-flexible top shields provide additional protection to the upper body.



Features

- > The shield easily mounts to either side of the table allowing the pivotal arm to always face the head end.
- > A 55 cm wide attachment bracket slides onto a 25 mm high table side accessory rail (max. 11 mm thick). The securing handle position allows it to overhang the rail end and be repositioned further along the table.
- > Equipment controls can be mounted on the large integrated rail and grouped with others close by on the adjacent table side rail.
- > The heavy duty middle link has an automatic wear adjustment facility ensuring accurate joint friction which prevents unwanted curtain movement even when the table is tilted in any direction.

Flexible x-ray protective curtain

- > The curtain forms a large (118 cm wide x 75 cm high) safe zone of occupancy for the Radiologist (or Cardiologist) and another person standing nearby.
- > The curtain forms around an under table x-ray tube without impeding movement.
- > The curtains inner 0.5 mm lead equivalent layer is bonded to its outer covering. As the protective layer is not suspended separately in a cover (bag), it cannot tear or fall away inside unnoticed.
- > The pivotal arm and middle link can swivel outwards from the table side to form a 46 cm or 63 cm wing, or inwards to conform to the shape of the table.



Optional top shields

- > The optional detachable tops (as shown) overlap one another to provide protection to the upper body.
- > A 57 cm wide top (312/DS/3.32) attaches to the pivotal arm, accompanied by a 27 cm wide top (312/DS/3.30) on the middle link and an adjacent reduced height 27 cm wide top (312/DS/3.41) on the attachment bracket.
- > Each of the three top shields is constructed using polypropylene reinforcing sheets to provide flexible yet stable movement towards the patient.
- > Each can be quickly removed to aid patient access.
- > The x-ray attenuating material used in the optional tops has a lead equivalent of 0.5 mm.

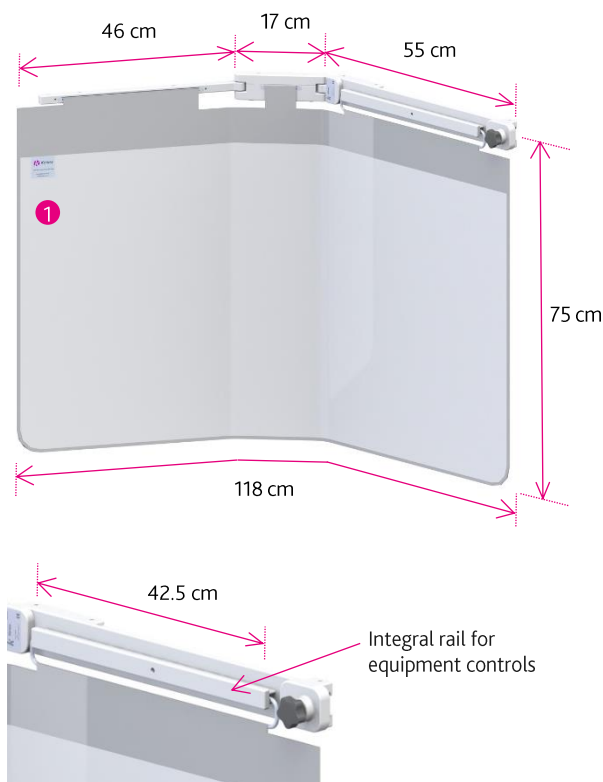
Weights, dimensions & ordering information

Weights and dimensions are subject to manufacturing tolerance

Primary shield

312/DS-039/1 **1**

Weight: 10.2 kg



Combinations

The primary shield and separate tops are also available as a single product (312/DSS-0412/1).

312/DS-040/1 **1 + 2**

Weight: 12.4 kg

312/DS-041/1 **1 + 2 + 3**

Weight: 13.3 kg

312/DS-0412/1 **1 + 2 + 3 + 4**

Weight: 14.3 kg

