

Lower body x-ray shield

312/DS-039/2 & variants with collision tolerant pivotal arm & optional detachable top shields (Patent pending)

Table mounted shield with integrated accessory rail

These lower body shields substantially reduce exposure to scatter radiation emanating from the table or patient's body. The primary shield (312/DS-039/2) comprises a lightweight and durable structure, with middle link and pivotal arm (with collision tolerant link) supporting flexible lead curtains. Optional semi-flexible top shields provide additional protection to the upper body.



Features

- > The shield easily mounts to either side of the table allowing the pivotal arm to always face the head end.
- > A 55 cm wide attachment bracket slides onto a 25 mm high table side accessory rail (max. 11 mm thick). The securing handle position allows it to overhang the rail end and be repositioned further along the table.
- > Equipment controls can be mounted on the large integrated rail.
- > The shield utilises a unique collision tolerant link allowing upward movement of the pivotal arm in the event of impact from beneath (for example collision with a moving C-arm). Its attached curtain moves in unison, with its angled profile overlap maintaining continuity of protection.
- > The heavy duty middle link has an automatic wear adjustment facility ensuring accurate joint friction which prevents unwanted curtain movement even when the table is tilted in any direction.

Flexible x-ray protective curtain

- > The pivotal arm curtain and static curtain form a large (120 cm wide x 70 cm high) safe zone of occupancy for the Radiologist (or Cardiologist) and another person standing nearby.
- > The curtains form around an under table x-ray tube without impeding movement.
- > The curtain's inner 0.5 mm lead equivalent layer is bonded to its outer covering. As the protective layer is not suspended separately in a cover (bag), it cannot tear or fall away unnoticed.
- > The pivotal arm and middle link curtain area can swivel outwards from the table side to form a 48 cm or 65 cm wing, or inwards to conform to the shape of the table.



Optional top shields

- > Optional detachable tops shields (as shown) overlap one another to provide additional protection to the upper body.
- > A 57 cm wide top (312/DS/3.32/3) attaches to the pivotal arm, accompanied by a 27 cm wide top (312/DS/3.30) on the middle link and an adjacent reduced height 27cm wide top (312/DS/3.41) on the attachment bracket.
- > Each of the three top shields is constructed using polypropylene reinforcing sheets to provide flexible yet stable movement towards the patient.
- > Each can be quickly removed to aid patient access.
- > The x-ray attenuating material used in the optional tops has a lead equivalent of 0.5 mm.

Weights, dimensions & ordering information

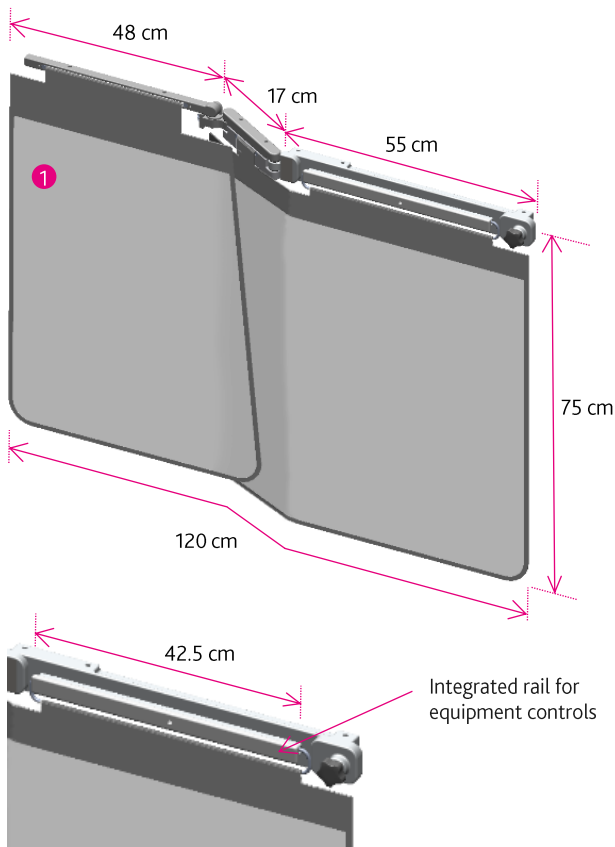
Primary shield

312/DS-039/2 **1**

Comprising:-

1 x Main element with joint & 1 x Swing element.

Weight: 11.2 kg



Combinations

The primary shield and separate tops are also available as a single product (i.e. 312/DS-0412/2).

312/DS-040/2 **1 + 2**

Weight: 13.3 kg

312/DS-041/2 **1 + 2 + 3**

Weight: 14.1 kg

312/DS-0412/2 **1 + 2 + 3 + 4**

Weight: 15 kg

