

Head end table shield

313/A2

Protects the user when working at the head end of table

This lower body shield substantially reduces exposure to scatter radiation emanating from the table or patient's body. It is detachably mounted onto the head end of the table and protects physicians or others standing close-by. It comprises a lightweight and durable structure, with a fixed middle section and two pivotal side arms, supporting a flexible 0.5mm lead equivalent lead curtain.

Features

- > The shield slides onto a carbon fibre table top and maintains its position even when the table is tilted.
- > The two pivotal side wings can be formed around the user, individually extended forward along the table side, or folded neatly away according to preference. The pivotal arms can be quickly repositioned to allow full C-arm movement.
- > Each shield is manufactured to suit a specific table and can be provided with an optional wall storage rack. This allows the shield arms to be folded inwards to reduce wall space to a minimum.

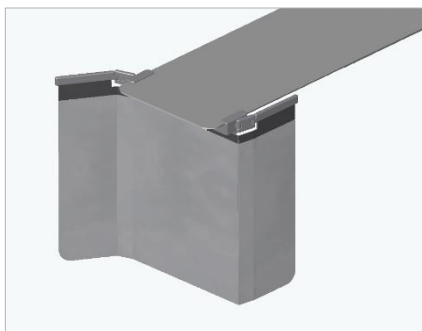
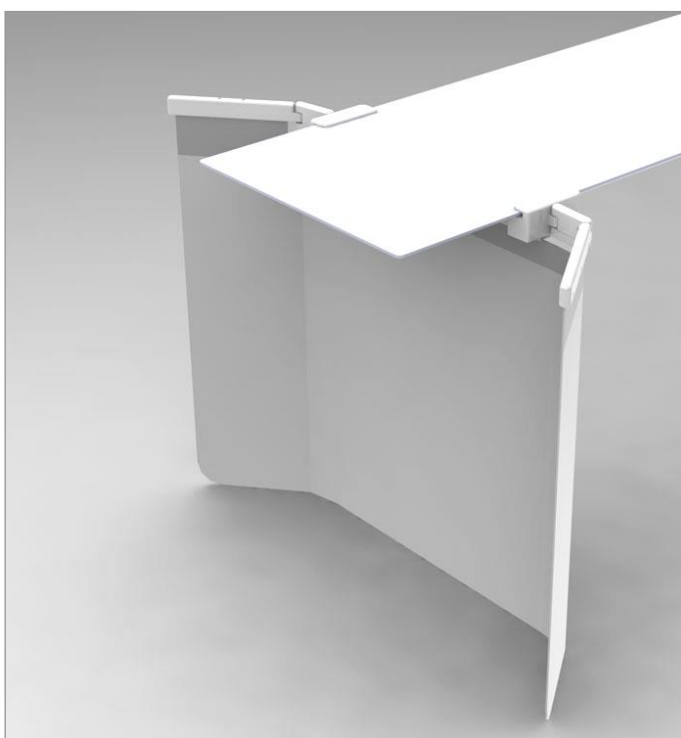
Please specify size and make of table when ordering

Dimensions & weight

Total width: 120 cm
(dependent upon make of table)
Central section: 56 cm
Pivotal arms: 32 cm each side

Height: 80 cm

Shield weight: 10 kg



Quality management systems and certification

Kenex is certified to ISO 13485:2003 & ISO 9001:2008 for the design & manufacture of medical devices, and certified to EU-Directive 89/686/EEC for personal protective equipment. Kenex has in place methodology for indentifying, addressing and evaluating risk in accordance with standard ISO 14971:2007. All Kenex products are CE certified.

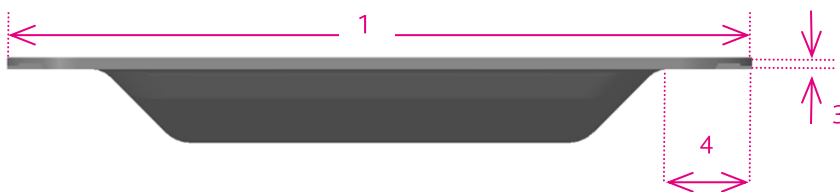
Measurement sheet
313/A2 Head end shield

To order please measure precisely and specify in millimetres: -

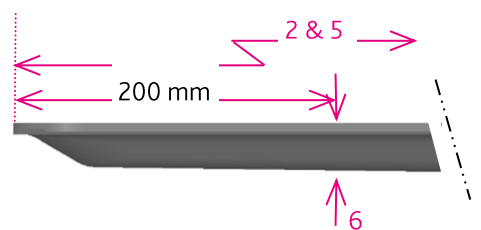
- 1 Width of carbon fibre table top. 1: _____ mm
- 2 Distance along table top where width 1 is maintained. 2: _____ mm
- 3 Thickness along the side edges. 3: _____ mm
- 4 Distance where side edge thickness 3 is maintained. 4: _____ mm
- 5 Distance along the table where the side edge thickness 3 is maintained. 5: _____ mm
- 6 Maximum overall thickness of the table, when measured up to 200 mm from the end. 6: _____ mm

Make of table. _____

End view of table



Side view of table



Please complete this sheet where appropriate and forward to: -

Kenex (Electro-Medical) Ltd
Unit 17, RO24 Greenway, Harlow Business Park, Harlow, Essex CM19 5QB, England
T: +44 (0)1279 417241 F: +44 (0)1279 443749 E: kenex@kenex.co.uk

Copyright © 12.2011 Kenex (Electro-Medical) Limited. All rights reserved.