

LED operating lamp

300/L-LED150F (LED 150F lamp with power supply and suspension arm)

For use with a Kenex ceiling mounted x-ray radiation shield

Focusable LED operating lamp

The LED 150F is a small operating lamp with the advantage of variable focusing. The 110,000 Lux light intensity provides colour rendering indexes R_a above 95 and R_9 (red) above 90. This enables a surgeon to clearly determine the smallest nuances in wound tissue colour and helps reduce eye fatigue. The LED technology used, ensures greatly reduced operating temperatures compared with traditional halogen bulbs, meaning temperature rise at the operators head area is almost undetectable.

The multiple faceted lenses provide a homogenous light field. The light can be easily focused by turning the sterilisable handle, enabling illumination of the deepest wound. Both power, and light intensity are controlled from the lamp head.

Features

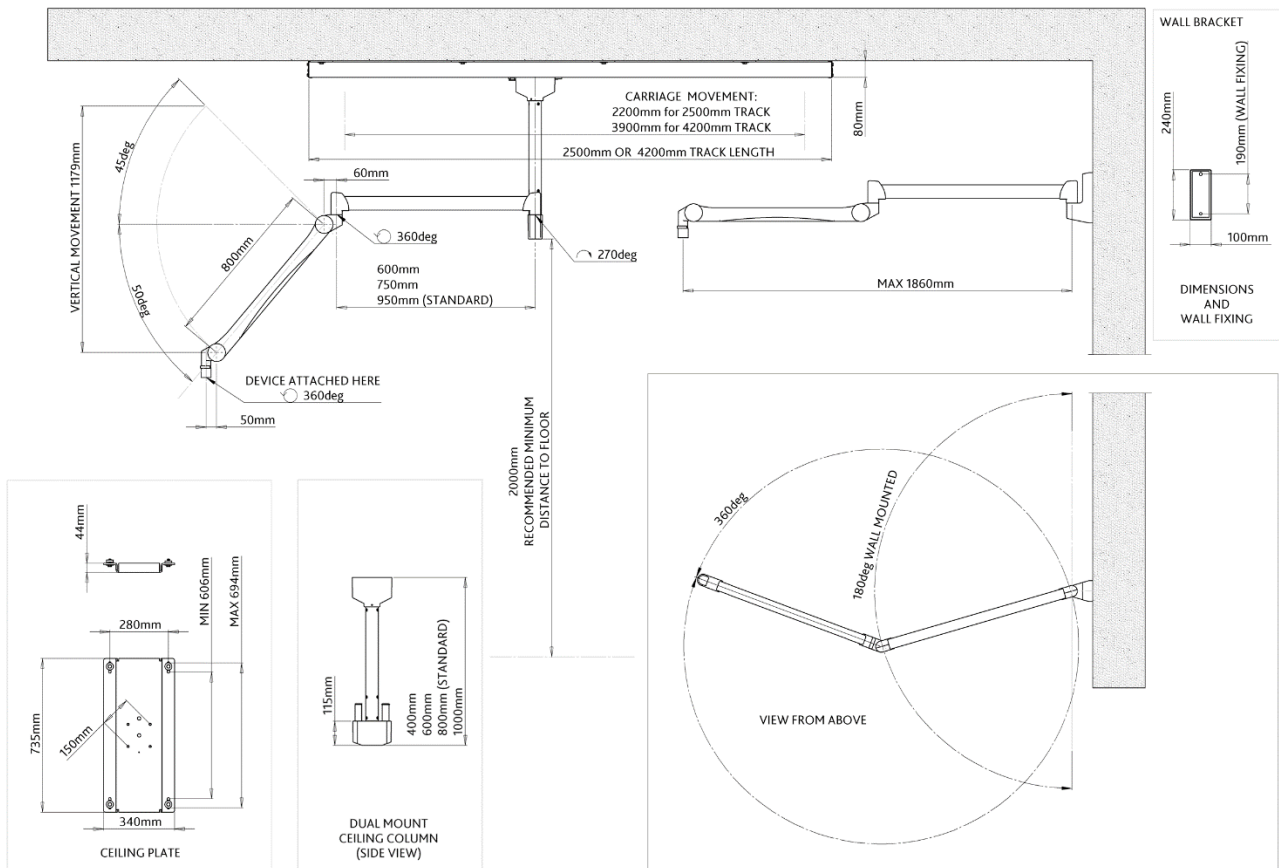
- > Light intensity at 1 metre: 110,000 Lux
- > Colour rendering index R_a 95
- > Colour rendering index R_9 90
- > Focusable light field size: 18 cm to 25 cm
- > Colour temperature: 4300 Kelvin
- > Temperature increase at head area: 0.5 °C
- > Total power consumption: 35W
- > Light source: 26 LED's
- > Electronic light intensity control at lamp head: 50% to 100%
- > Life span of over 50,000 hours
- > Diameter of lamp head: 38 cm
- > Detachable sterilizable handle included



Model 300/L-LED150F is supplied with a two part suspension arm allowing versatile movement. The arm can be mounted onto the spare pivot of a ceiling column (separately supplied) which carries a radiation shield. A ceiling column can be attached to a load bearing or suspended ceiling (different installation aids are available to suit differing site conditions – see over). Alternatively, a ceiling column can be directly attached to the movable carriage of a 2.5 m or 4.2 m ceiling track (available separately) with lamp cables contained and managed within a separately supplied flexible energy chain. These options enable the complete assembly to move into and out of the working area as required.



Technical specifications



Equipment weights & part numbers

Included:

- Power supply in housing
- LED 150F lamp head: **2.4 kg**
- Suspension arm: **9 kg**

Optional equipment:

Dual mount ceiling column:

- 40 cm (#300/COLUMN/40): **10.2 kg**
- 60 cm (#300/COLUMN/60): **11.5 kg**
- 80 cm (#300/COLUMN-2): **12.8 kg**
- 100 cm (#300/COLUMN/100): **14.1 kg**

Ceiling track & carriage:

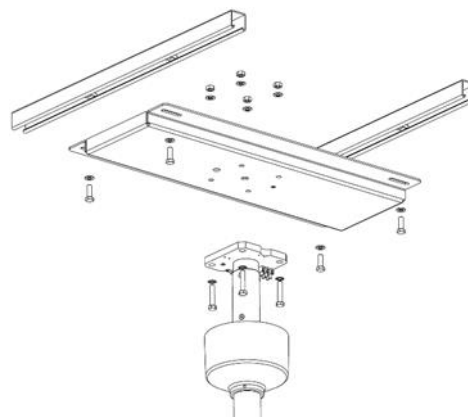
- 2.5 m (#3001/TC/250): **50 kg**
- 4.2 m (#3001/TC/420): **72 kg**

Track cable management:

- 2.5 m (#3001/TC/250/EC)
- 4.2 m (#3001/TC/420/EC)

Additional track carriage:

- For use in 2.5 m or 4.2 m track (#3001/3.25): **4.6 kg**



Optional installation aids:

- Ceiling column anchorage plate #300/P/004 (shown above attaching to ceiling rails with separately supplied ceiling column)
- Ceiling void installation kits #300/P/012 & #300/P/014