

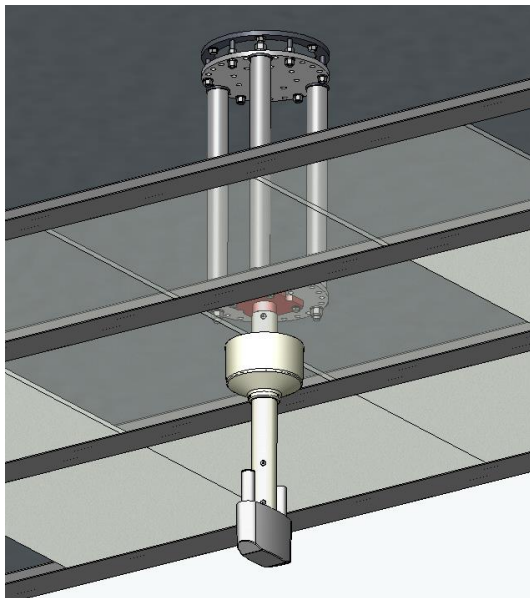


# Ceiling void anchorage mount

300/P/012

## Mounting bridges the gap

This anchorage mount is designed for installations where the maximum gap between a load-bearing ceiling and a suspended ceiling is 90 cm. It comprises an anchorage ring (for bolting to a solid concrete ceiling) and an extension flange.



## Upright & solid platform

The extension flange is supplied in component form. This permits length alterations to be made to exactly suit the ceiling void. Once assembled the flange can be adjusted to provide a completely upright & solid mounting platform.

## Neat appearance

A ceiling column supplied with all Kenex overhead radiation shields, (or other suspension devices) can be fixed to the extension flange. The column upper cover is then moved up to conceal holes cut in the tiles.

