

# Overhead suspended shield & LED Lamp

350/45/LED130F-001

(40 cm x 50 cm 2.0 mm Pb equivalent glass shield & LED 130F examination lamp)

## Effective protection for the upper body

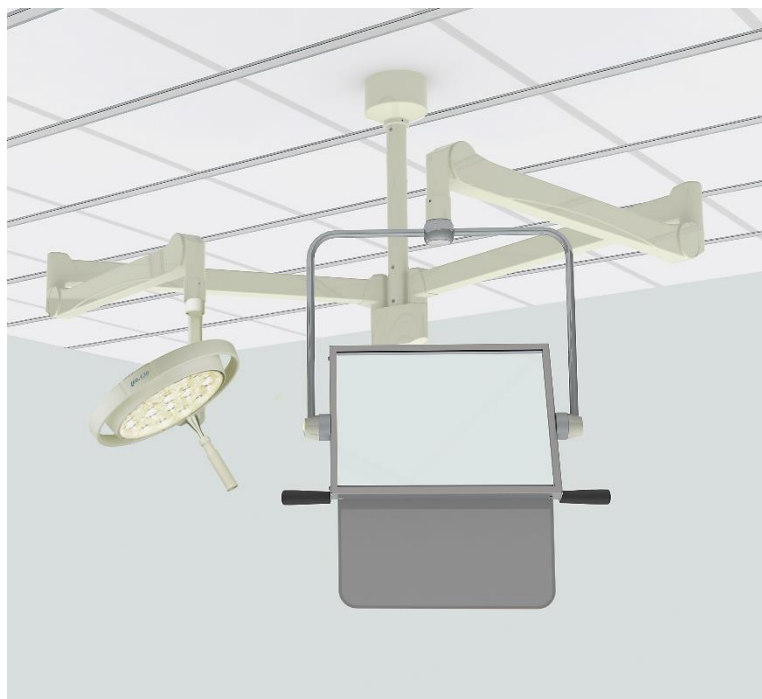
This 40 cm x 50 cm shield uses 2.0 mm lead equivalent glass for effective x-ray protection to the eyes and thyroid. The robust yoke assembly provides stability and protection to the window which carries a 0.5 mm lead equivalent flexible curtain beneath to help further reduce scatter radiation. The LED 130F lamp is a compact yet practical examination light with a light output of 70,000 lux.

### Features: LED lamp

- > Light intensity at 1 metre: 70,000 Lux
- > Colour rendering index Ra 95
- > Focusable light field size: 14 cm to 25 cm
- > Electronic dimming
- > Working distance: 70 cm to 140 cm
- > Colour temperature: 4300 Kelvin
- > Temperature increase at head area: 0.5°C
- > Total power consumption: 28 W
- > Light source: 19 LED's
- > Life span of over 40,000 hours
- > Diameter of lamp head: 33 cm
- > Detachable sterilizable handle included

### Features: Shield

- > 40 cm x 50 cm x-ray shield
- > 2.0 mm lead equivalent glass
- > 0.5 mm lead equivalent flexible curtain



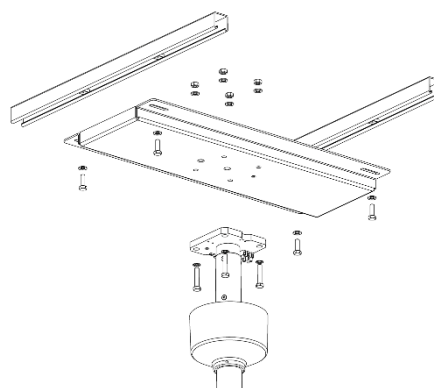
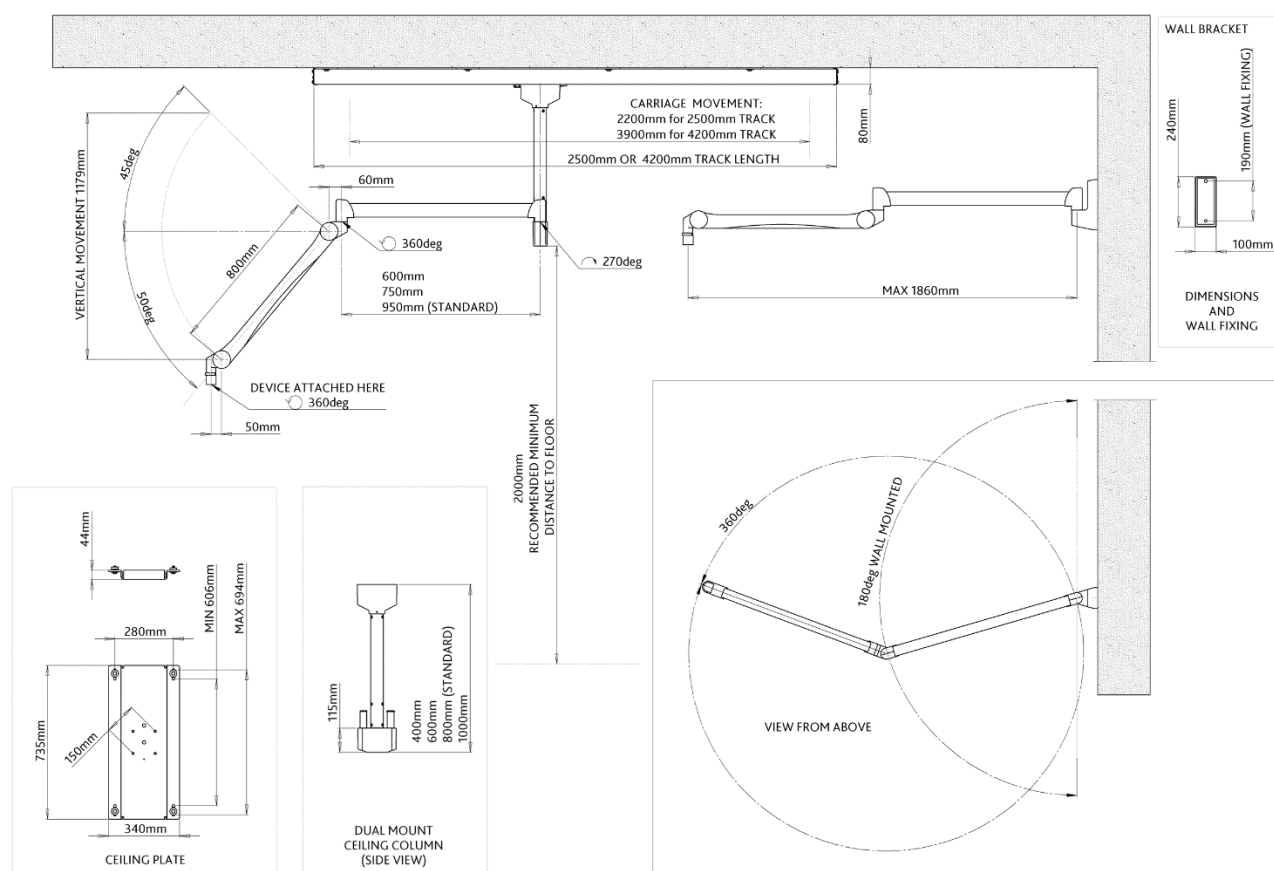
Both the shield and lamp are supported on two-part suspension arms, each attached to an 80 cm long ceiling column (other lengths available – see over). The column can be attached to a load bearing, or suspended ceiling. Different installation aids are available to suit differing site conditions (available separately – see over).

Alternatively, the ceiling column can be directly attached to the movable carriage of a 2.5 m or 4.2 m ceiling track (available separately) with the lamp cables contained and managed within a separately supplied flexible energy chain. These options enable the complete assembly to move into and out of the working area as required.



X-ray shielding

## Technical Specification



## Equipment weights & part numbers

### Included:

- Power supply in housing
- LED 130F lamp head: **2 kg** (approximately)
- 40 cm x 50 cm lead glass shield: **12 kg** (approximately)
- 2 x Suspension arm: **9 kg** (each)
- 80 cm dual mount ceiling column: **12.8 kg**

### Optional equipment:

- Dual mount ceiling column:
  - 40 cm (#300/COLUMN/40): **10.2 kg**
  - 60 cm (#300/COLUMN/60): **11.5 kg**
  - 100 cm (#300/COLUMN/100): **14.1 kg**
- Ceiling track & carriage:
  - 2.5 m (#3001/TC/250): **50 kg**
  - 4.2 m (#3001/TC/420): **72 kg**
- Track cable management:
  - 2.5 m (#3001/TC/250/EC)
  - 4.2 m (#3001/TC/420/EC)
- Additional track carriage:
  - For use in 2.5 m or 4.2 m track (#3001/3.25): **4.6 kg**

### Optional installation aids:

- Ceiling column anchorage plate #300/P/004 (shown above attaching to ceiling rails with separately supplied ceiling column)
- Ceiling void installation kits #300/P/012 & #300/P/014



Kenex (Electro-Medical) Ltd  
Unit 17, RO24 Greenway, Harlow Business Park, Harlow, Essex CM19 5QB, England  
T: +44 (0)1279 417241 F: +44 (0)1279 443749 E: kenex@kenex.co.uk www.kenex.co.uk