



# Kenex

## **X-ray table mounted shields**

Specifications & ordering information

Issue 3



## Contents

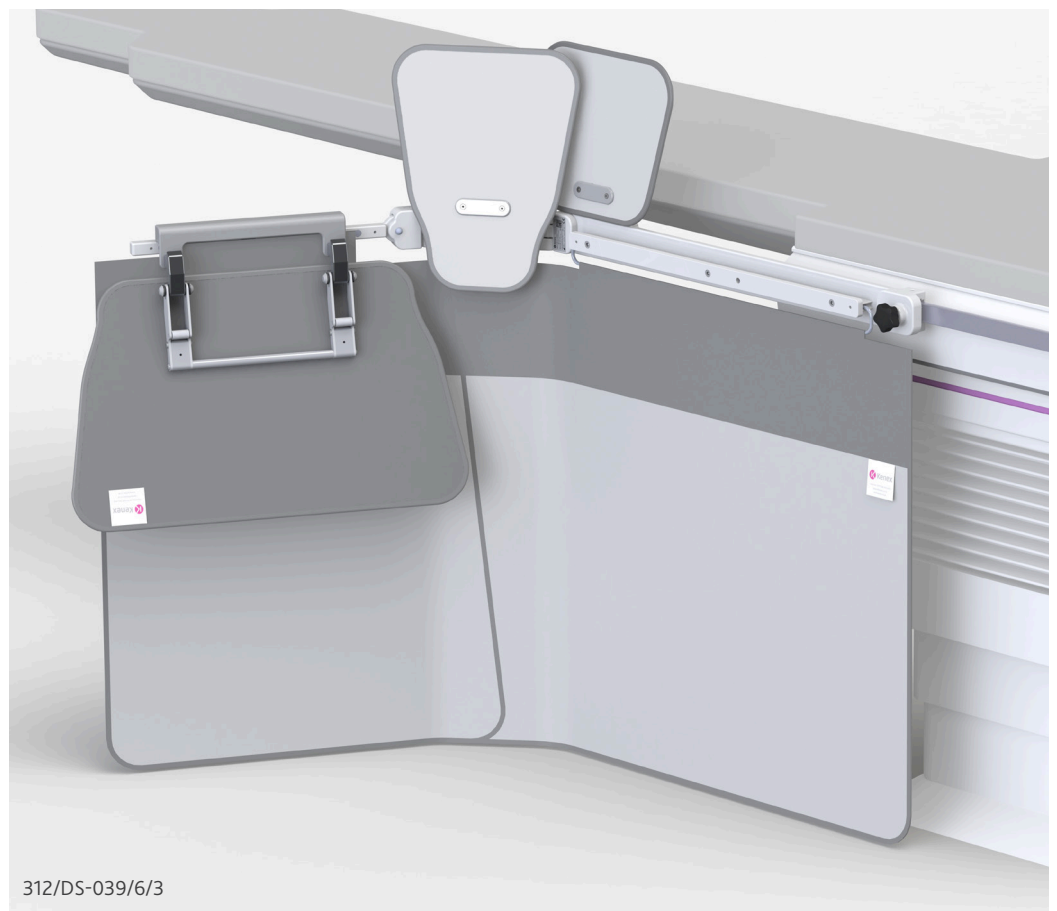
<b>1</b>	<b>Tablesider mounted shields</b>
2	Key features
<b>4</b>	<b>Shield configurations</b>
4	78 cm wide
5	92 cm wide
6	100 cm wide
7	114 cm wide
8	137 cm wide
9	162 cm wide
<b>10</b>	<b>Collision resilient shield configurations</b>
10	92 cm wide
11	114 cm wide
12	137 cm wide
13	162 cm wide
<b>14</b>	<b>Top shield options</b>
16	Top shield compatibility
<b>18</b>	<b>Head end shields</b>
<b>20</b>	<b>Foot end shields</b>
<b>21</b>	<b>Table shielding storage</b>
21	Wall mounted
23	Mobile
<b>24</b>	<b>Terms and conditions</b>

## ► Tableside mounted shields

Kenex lower body shields substantially reduce exposure to scatter radiation emanating from the table or patient's body. The shields consist of a lightweight and durable structure with an enhanced double friction joint or single friction pivot, and pivotal arm supporting a flexible 0.5 mm lead equivalent curtain. Optional semi-flexible top shields provide additional protection to the upper body.

- All shields easily mount to either side of the table allowing the pivotal arm to always face the head end.
- The attachment bracket slides onto the tableside rail. It can be quickly adjusted to fit either a 25 mm or 28.6 mm high tableside rail (maximum 11 mm thick).
- All shields have an automatic wear adjustment facility ensuring accurate joint friction preventing unwanted curtain movement even when the table is tilted in any direction.
- The suspended curtain forms a single 'safe zone of occupancy' for the Radiologist (or Cardiologist).
- The curtain forms around an under table x-ray tube without impeding movement.

When used in conjunction with Kenex ceiling mounted systems, both upper & lower body protection meet to provide an effective & easy to use barrier to scatter radiation.



# > Tableside mounted shields

## Key features

### Unique set-up process

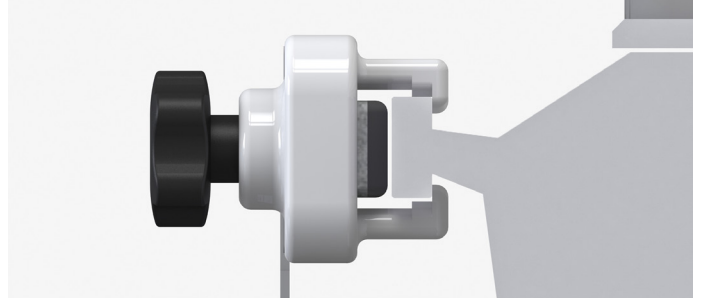
All models can be easily and quickly attached to either the right or left side of a table and can be switched from one side to the other if required.



### Rail width adjustment

All shields can be securely attached to the tableside rail. They can be configured on-site to fit either a 25 mm or 28.6 mm high tableside rail (max. 11 mm depth).

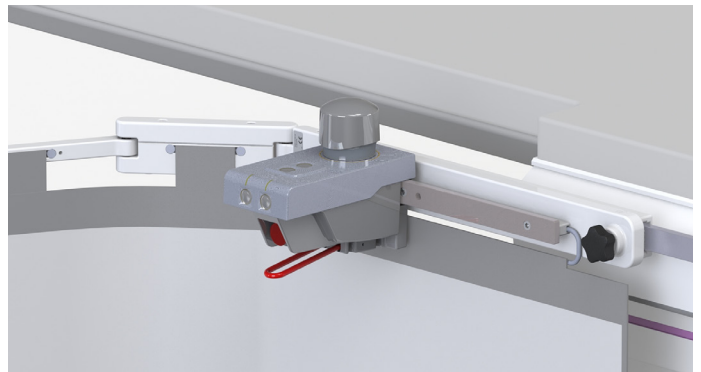
Other rail sizes can be accommodated via special order.



### Integrated rail for equipment controls

All 100 cm wide shields and larger, are supplied with two integrated accessory rails (10 x 25 mm fitted, 9.5 x 28.6 mm supplied). The rail allows for the attachment of equipment controls that would otherwise be located on the tableside. This space saving feature ensures controls are always positioned close to the user, and enables a larger zone of protection to be created.

10 x 25 mm and 9.5 x 28.6 mm integrated accessory rails are supplied as standard but some shields offer a 7.7 x 25 mm rail alternative (add '1/8' to the stock code).



### Self adjusting central link

All shields have either of the two links shown. The amount of friction at the pivots is initially set to prevent unwanted movement. An internal 'maintenance free' mechanism maintains the friction setting, thus extending the shields working life.



### Pivots

Internal 10 mm diameter stainless steel dowels securely hold the shield components in place and provide stable pivot points. They provide strength against high dynamic loads and ensure lasting performance.



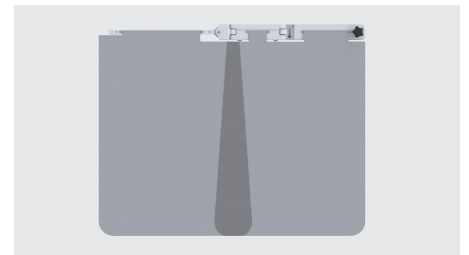
## Collision resistant

Some shields (see page 10 - 13) are fitted with a patented device enabling upward movement of the pivotal arm. Some acute C-Arm angulations can mean potential or actual collision with a table mounted shield. The collision resistant link ensures neither the C-Arm nor shield sustains damage, and that medical procedures are not interrupted.

These shields are fitted with two separate curtains, manufactured with overlapping angled sides as shown. This feature helps maintain protection during upward movement of the pivotal arm.



Shown with curtains removed



Curtain overlap

## Curtain construction

The flexible curtain suspended from each shield provides 0.5 mm Pb protection. It consists of a flexible inner layer with a durable outer covering bonded to it. This results in an extremely strong, supple, easy to clean curtain which cannot delaminate.

All shields are supplied with a curtain which easily forms around a C-Arm without impeding C-Arm movement.

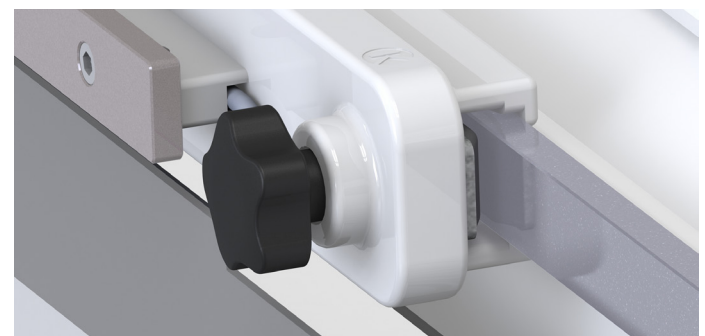
## Alternative construction

Shields with curtains made using three overlapping panels are available (add 'P' to the end of the required stock code).



## Handle collar

The handle used on all shields is manufactured from high impact glass re-enforced plastic, and is protected from damage by a solid collar which encircles the handle shaft.



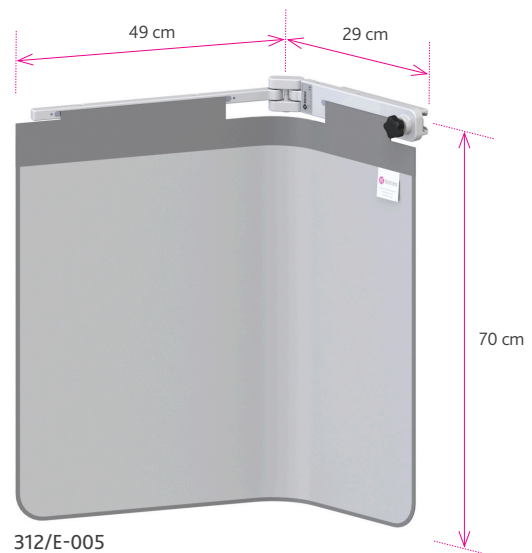
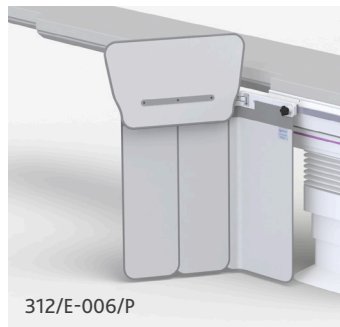
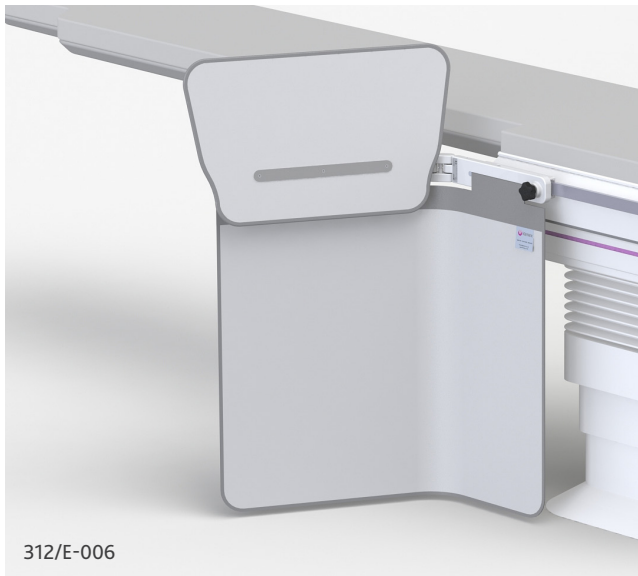
## Tableside mounted shields Shield configurations

The Kenex range of lower body protection detailed in this document range from 78 cm to 162 cm wide. Each is supplied with a 0.5 mm Pb flexible protective curtain. Top shields help extend protection and are either included with a product or can be purchased separately (see page 16 for compatibility).

### 78 cm wide protective shields

Consists of:

- 78 cm wide x 70 cm high curtain panel (option available for three overlapping curtain panels).
- Top shields are included with some products, for additional options see page 16 for compatibility.



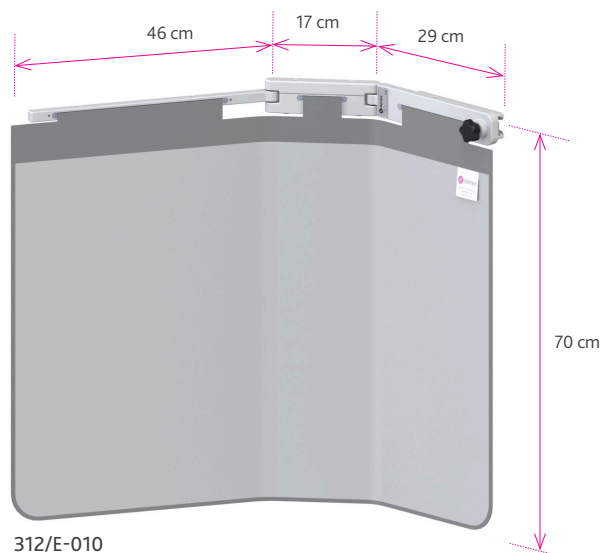
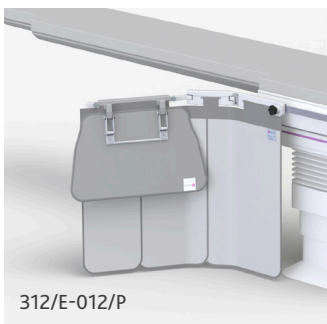
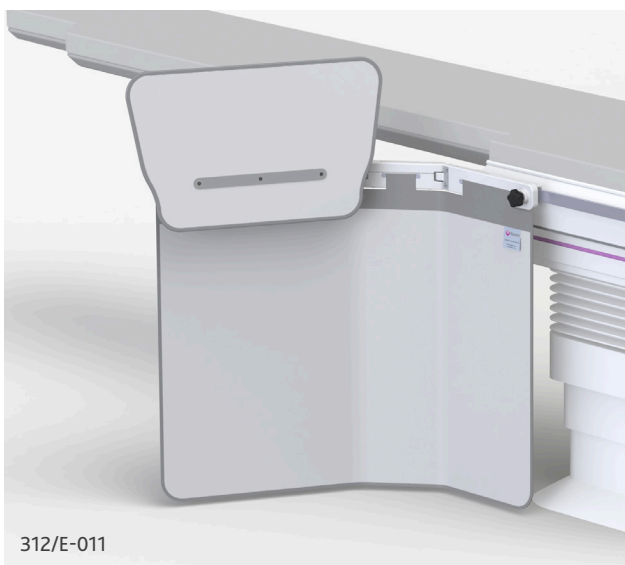
78 cm wide Product code	Curtain panel		Top shields	
	one piece	three overlapping	57 cm wide	
			lift-off (312/DS/3.32)	fold-down (312/DS/3.33)
312/E-005	●			
312/E-005/P		●		
312/E-006	●		●	
312/E-006/P		●	●	
312/E-007	●			●
312/E-007/P		●		●

Additional tops are available, see page 16 for compatibility

## 92 cm wide protective shields

Consists of:

- 92 cm wide x 70 cm high curtain panel (option available for three overlapping curtain panels).
- Top shields are included with some products, for additional options see page 16 for compatibility.



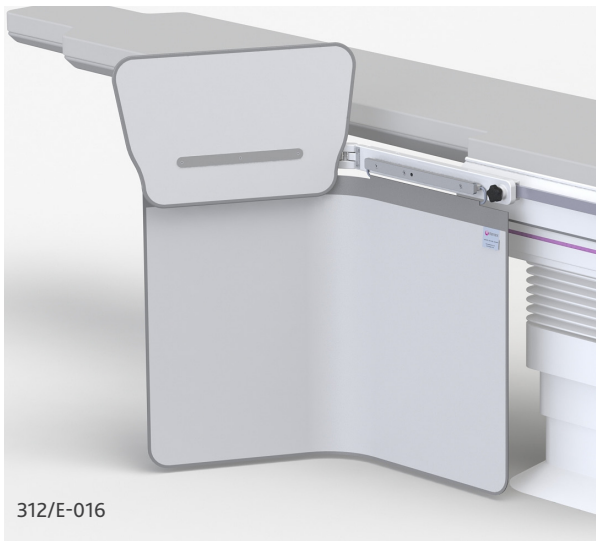
92 cm wide Product code	Curtain panel		Top shields	
	one piece	three overlapping	57 cm wide	
			lift-off (312/DS/3.32)	fold-down (312/DS/3.33)
312/E-010	●			
312/E-010/P		●		
312/E-011	●		●	
312/E-011/P		●	●	
312/E-012	●			●
312/E-012/P		●		●

Additional tops are available, see page 16 for compatibility

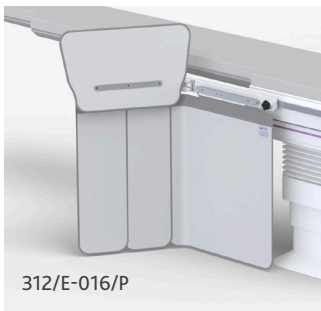
## 100 cm wide protective shields

Consists of:

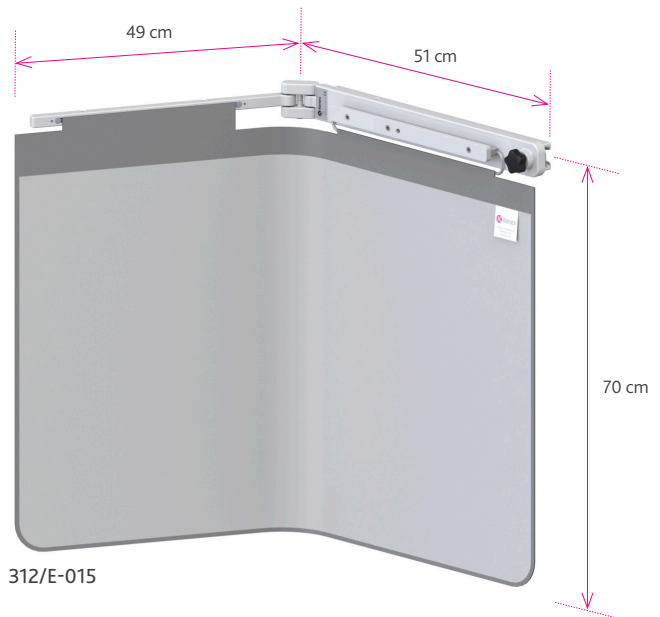
- 100 cm wide x 70 cm high curtain panel (option available for three overlapping curtain panels).
- Two 35 cm long integrated accessory rails, 10 x 25 mm (fitted) 9.5 x 28.6 mm (supplied). Option for one 7.7 x 25 x 350 mm rail (fitted).
- Top shields are included with some products, for additional options see page 16 for compatibility.



312/E-016



312/E-016/P



312/E-015

100 cm wide Product code	Curtain panel		35 cm long integrated accessory rail		Top shields	
	one piece	three overlapping	10 x 25 mm (fitted) 9.5 x 28.6 mm (supplied)	7.7 x 25 mm (fitted)	57 cm wide	
					lift-off (312/DS/3.32)	fold-down (312/DS/3.33)
312/E-015	●		●			
312/E-015/P		●	●			
312/E-015/8	●			●		
312/E-015/8P		●		●		
312/E-016	●		●		●	
312/E-016/P		●	●		●	
312/E-016/8	●			●	●	
312/E-016/8P		●		●	●	
312/E-017	●		●			●
312/E-017/P		●	●			●
312/E-017/8	●			●		●
312/E-017/8P		●		●		●

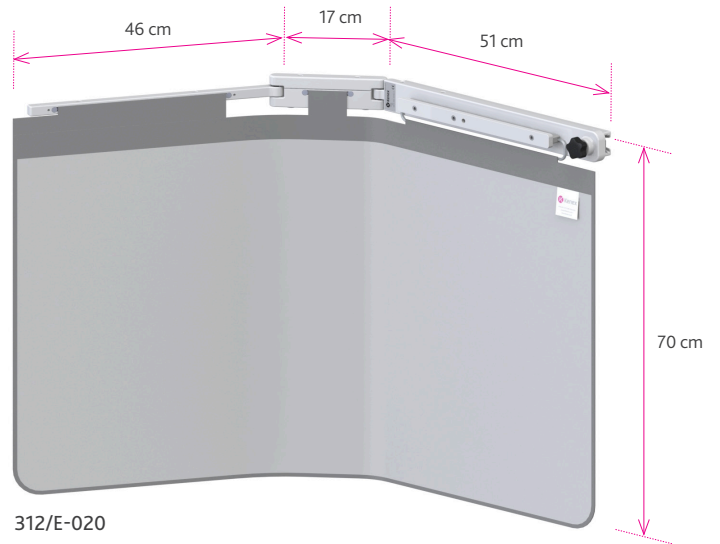
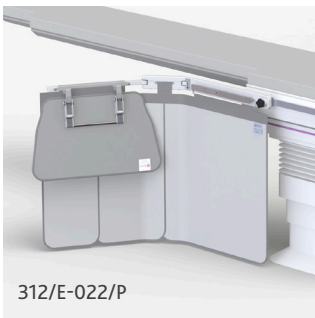
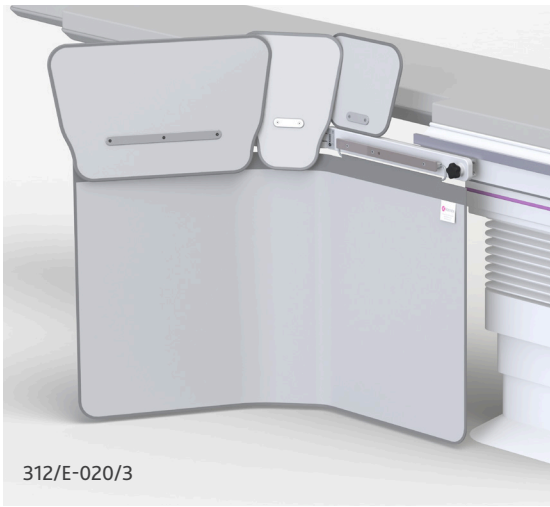
Additional tops are available, see page 16 for compatibility



## 114 cm wide protective shields

Consists of:

- 114 cm wide x 70 cm high curtain panel (option available for three overlapping curtain panels).
- Two 35 cm long integrated accessory rails, 10 x 25 mm (fitted) 9.5 x 28.6 mm (supplied). Option for one 7.7 x 25 x 350 mm rail (fitted).
- Top shields are included with some products, for additional options see page 16 for compatibility.



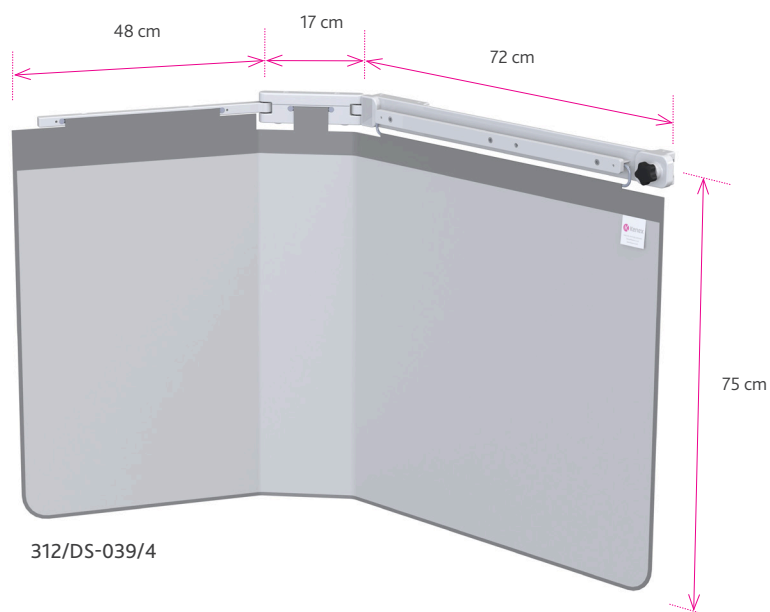
114 cm wide Product code	Curtain panel		35 cm long integrated accessory rail		Top shields			
	one piece	three overlapping	10 x 25 mm (fitted) 9.5 x 28.6 mm (supplied)	7.7 x 25 mm (fitted)	57 cm wide		27 cm wide	
					lift-off (312/DS/3.32)	fold-down (312/DS/3.33)	lift-off (312/DS/3.30)	lift-off (312/DS/3.41)
312/E-020	●		●					
312/E-020/P		●	●					
312/E-020/8	●			●				
312/E-020/8P		●		●				
312/E-020/3	●		●		●		●	●
312/E-020/3/P		●	●		●		●	●
312/E-020/3/8	●			●	●		●	●
312/E-020/3/8P		●		●	●		●	●
312/E-021	●		●		●			
312/E-021/P		●	●		●			
312/E-021/8	●			●	●			
312/E-021/8P		●		●	●			
312/E-022	●		●			●		
312/E-022/P		●	●			●		
312/E-022/8	●			●		●		
312/E-022/8P		●		●		●		

Additional tops are available, see page 16 for compatibility

## 137 cm wide protective shields

Consists of:

- 137 cm wide x 75 cm high curtain panel.
- Two 57 cm long integrated accessory rails, 10 x 25 mm (fitted) 9.5 x 28.6 mm (supplied).
- Top shields are included with some products, for additional options see page 16 for compatibility.



	Curtain panel	57 cm integrated accessory rail	Top shields			
			57 cm wide		27 cm wide	
			lift-off (312/DS/3.32)	fold-down / lift-off (312/DS/3.115)	lift-off (312/DS/3.30)	lift-off (312/DS/3.41)
<b>137 cm wide</b>		10 x 25 mm (fitted) 9.5 x 28.6 mm (supplied)				
Product code	one piece					
312/DS-039/4	●	●				
312/DS-039/4/3	●	●		●	●	●
312/DS-0412/4	●	●	●		●	●

Additional tops are available, see page 16 for compatibility

## 162 cm wide protective shields

Consists of:

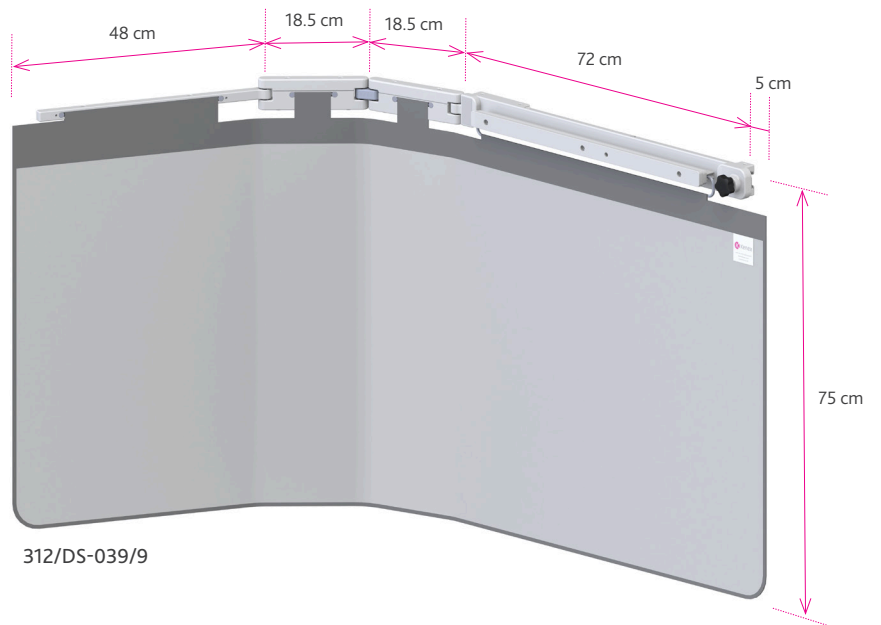
- 162 cm wide x 75 cm high curtain panel.
- Two 57 cm long integrated accessory rails, 10 x 25 mm (fitted) 9.5 x 28.6 mm (supplied).
- Top shields are included with some products, for additional options see page 16 for compatibility.



312/DS-039/9/4



312/DS-039/9/4 showing fold-down top



312/DS-039/9

137 cm wide Product code	Curtain panel	57 cm integrated accessory rail 10 x 25 mm (fitted) 9.5 x 28.6 mm (supplied)	Top shields		
	one piece		57 cm wide	27 cm wide	
			fold-down / lift-off (312/DS/3.115)	lift-off (312/DS/3.30)	lift-off (312/DS/3.41)
312/DS-039/9	●	●			
312/DS-039/9/4	●	●	●	● x 2	●

Additional tops are available, see page 16 for compatibility

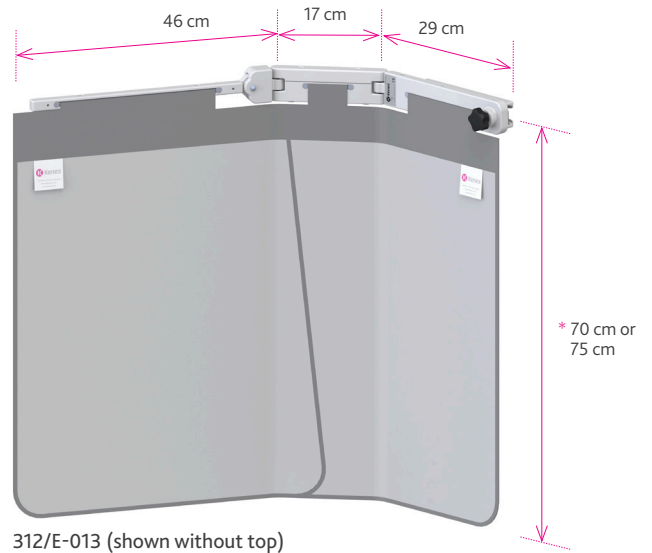
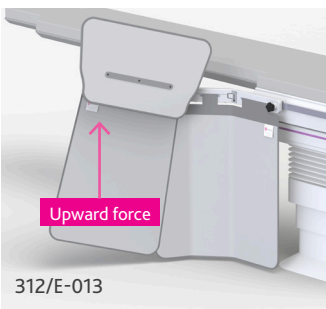
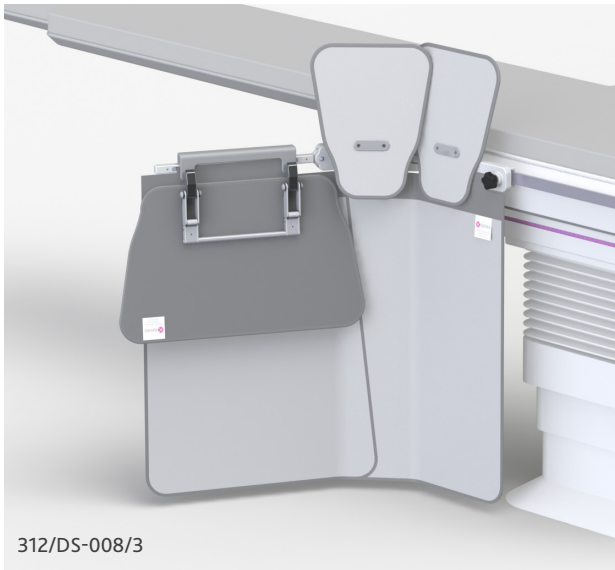
## Tableside mounted shields Collision resilient shield configurations

Collision resilient lower body shields have a unique patented mechanism that enables the pivotal arm to move up when in collision with C-arm equipment. Each is supplied with a 0.5 mm Pb protective lead curtain. Top shields help extend protection and are either included or can be purchased separately, see page 16 for compatibility.

### 92 cm wide collision resilient protective shields

Consists of:

- 92 cm wide x 70 cm high curtain panel, 312/DS-008 & 312/DS-008/3 are 75 cm high (option available for three overlapping curtain panels).\*
- Top shields are included with some products, for additional options see page 16 for compatibility.



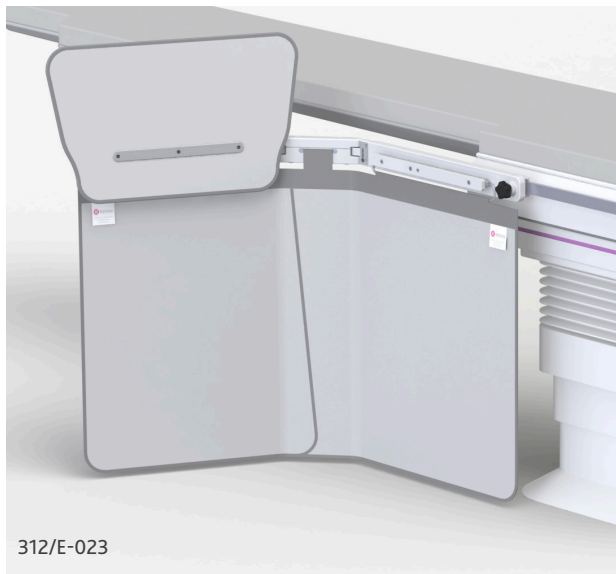
92 cm wide Product code	Curtain panel		Top shields		
	two piece	three overlapping	57 cm wide		27 cm wide
			lift-off (312/DS/3.32)	fold-down / lift-off (312/DS/3.115)	lift-off (312/DS/3.30)
312/E-013	●		●		
312/E-013/P		●	●		
312/DS-008	●				
312/DS-008/3	●			●	● x 2

Additional tops are available, see page 16 for compatibility

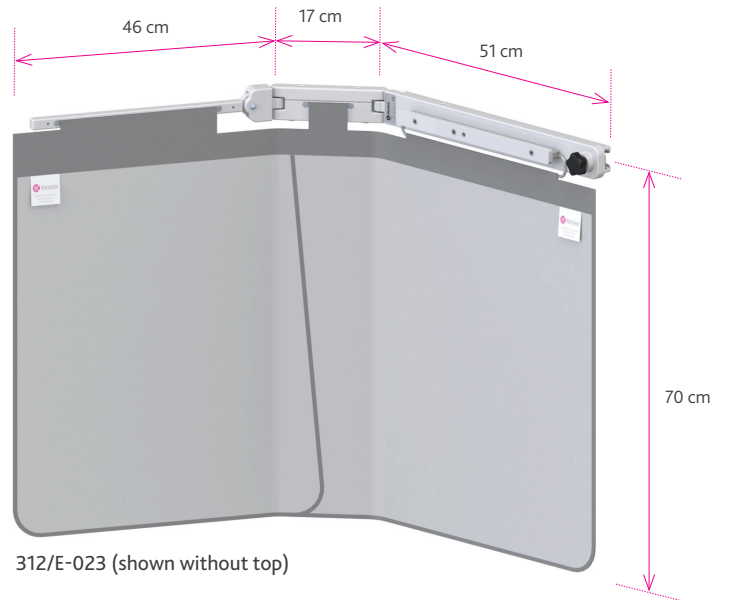
## 114 cm wide collision resilient protective shields

Consists of:

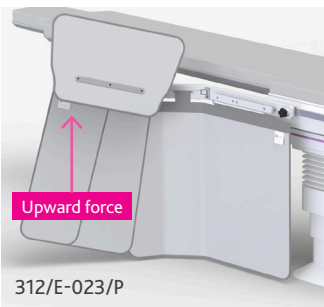
- 114 cm wide x 70 cm high curtain panel (option available for three overlapping curtain panels).
- Two 35 cm long integrated accessory rails, 10 x 25 mm (fitted) 9.5 x 28.6 mm (supplied). Option for one 7.7 x 25 x 350 mm rail (fitted).
- Top shields are included with some products, for additional options see page 16 for compatibility.



312/E-023



312/E-023 (shown without top)



312/E-023/P

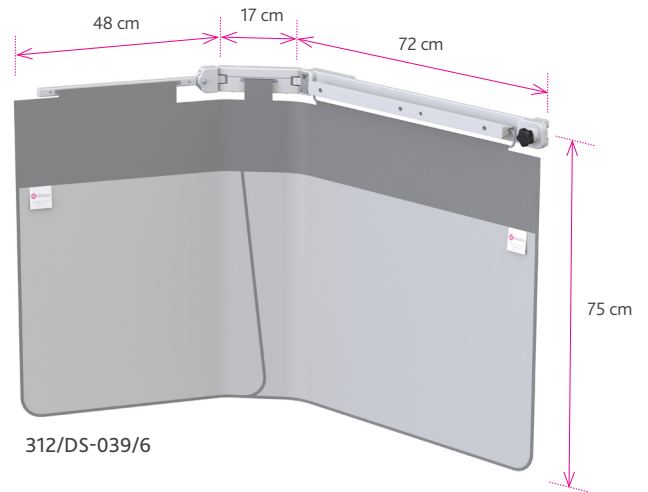
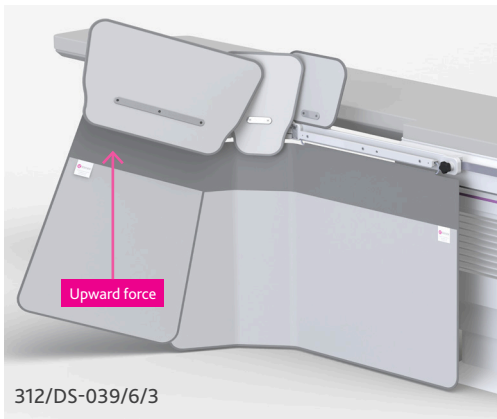
114 cm wide Product code	Curtain panel		35 cm long integrated accessory rail		Top shields
	two piece	three overlapping	10 x 25 mm (fitted) 9.5 x 28.6 mm (supplied)	7.7 x 25 mm (fitted)	57 cm wide, lift-off (312/DS/3.32)
312/E-023	●		●		●
312/E-023/P		●	●		●
312/E-023/8	●			●	●
312/E-023/8P		●		●	●

Additional tops are available, see page 16 for compatibility

## 137 cm wide collision resilient protective shields

Consists of:

- 137 cm wide x 75 cm high curtain panel.
- Two 57 cm long integrated accessory rails, 10 x 25 mm (fitted) 9.5 x 28.6 mm (supplied).
- Top shields are included with some products, for additional options see page 16 for compatibility.



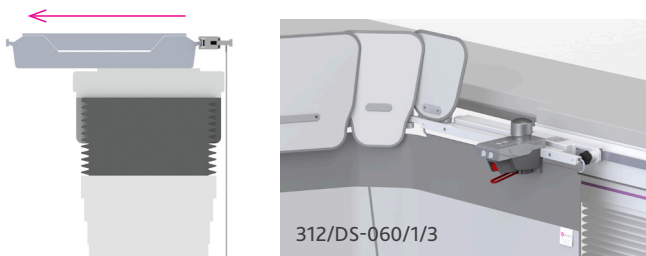
137 cm wide Product code	Curtain panel	57 cm integrated accessory rail 10 x 25 mm (fitted) 9.5 x 28.6 mm (supplied)	Top shields			
			57 cm wide		27 cm wide	
			lift-off (312/DS/3.32)	fold-down / lift-off (312/DS/3.115)	lift-off (312/DS/3.30)	lift-off (312/DS/3.41)
312/DS-039/6	two piece	●				
312/DS-039/6/3	●	●		●	●	●
312/DS-0412/6	●	●	●		●	●

Additional tops are available, see page 16 for compatibility

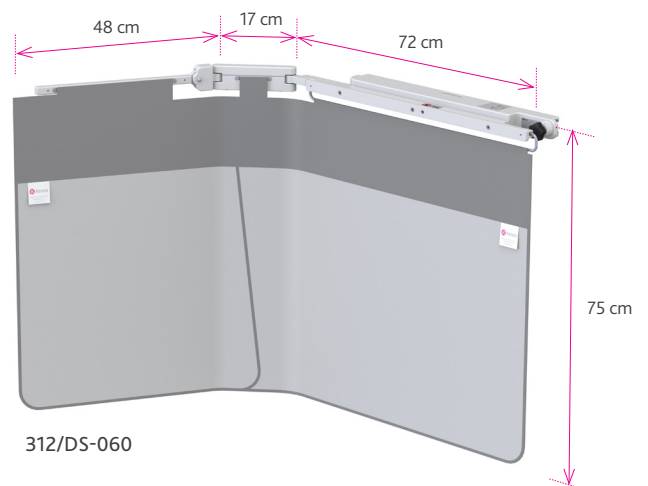
## 137 cm wide collision resilient protective shield with deep attachment bracket

Consists of:

- 137 cm wide x 75 cm high curtain panel.
- Two 65 cm long integrated accessory rails, 110 x 25 mm (fitted) 9.5 x 28.6 mm (supplied).
- Deep attachment bracket allowing transverse table movement.
- Top shields are included with some products, for additional options see page 16 for compatibility.



Showing lateral movement of the table



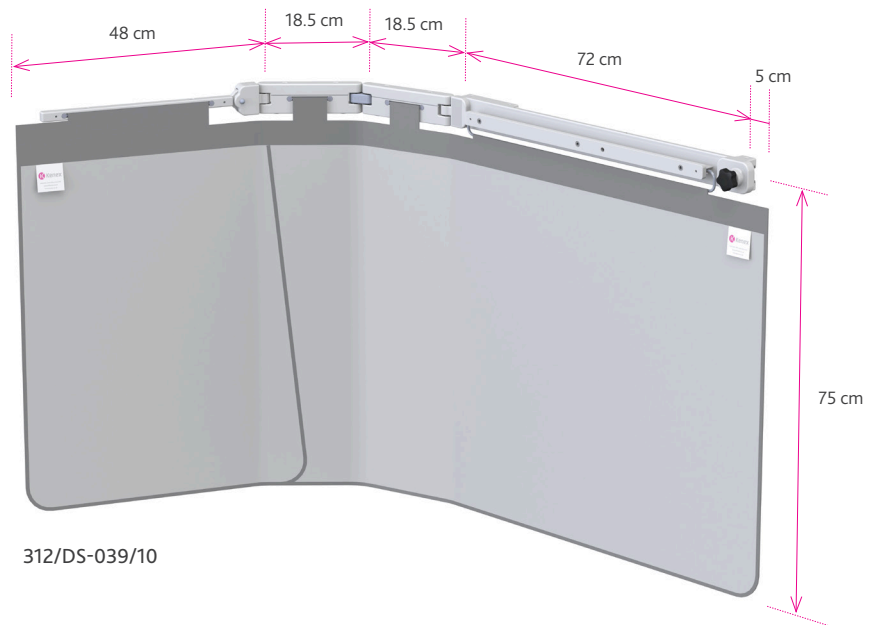
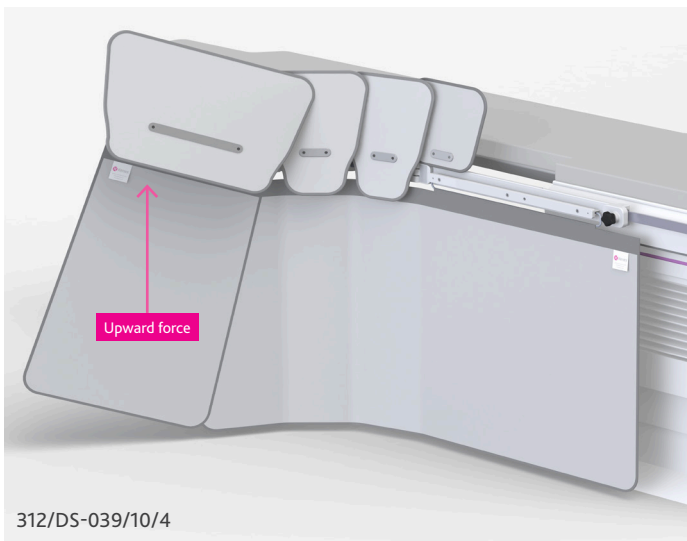
137 cm wide (deep attachment bracket) Product code	Curtain panel	65 cm integrated accessory rail 10 x 25 mm (fitted) 9.5 x 28.6 mm (supplied)	Top shields			
			57 cm wide		27 cm wide	
			lift-off (312/DS/3.32)	fold-down / lift-off (312/DS/3.115)	lift-off (312/DS/3.30)	lift-off (312/DS/3.122)
312/DS-060	two piece	●				
312/DS-060/1/3	●	●		●	●	●

Additional tops are available, see page 16 for compatibility

## 162 cm wide collision resilient protective shields

Consists of:

- 162 cm wide x 75 cm high curtain panel.
- Two 57 cm long integrated accessory rails, 10 x 25 mm (fitted) 9.5 x 28.6 mm (supplied).
- Top shields are included with some products, for additional options see page 16 for compatibility.



	Curtain panel	57 cm integrated accessory rail	Top shields		
			57 cm wide	27 cm wide	
<b>137 cm wide</b>					
Product code	two piece	10 x 25 mm (fitted) 9.5 x 28.6 mm (supplied)	fold-down / lift-off (312/DS/3.115)	lift-off (312/DS/3.30)	lift-off (312/DS/3.41)
312/DS-039/10	●	●			
312/DS-039/10/4	●	●	●	● x 2	●

Additional tops are available, see page 16 for compatibility

## Tablesider mounted shields Top shield options

Kenex top shields are manufactured using the same 0.5 mm Pb protective material as the suspended curtains of the main shield. They include a flexible plastic material that enables them to stand 25 cm above the table side rail, and provide additional higher and wider protection to the user. Their unique shape (wider at the top) ensures that no gaps develop as the adjacent tops are pushed towards the patient during procedures. A list showing compatibility of top shields and main shields is shown on page 16.

### Lift-off tops

Solid stainless steel locating pins ensure tops remain in position during use.

27 cm wide cropped tops are manufactured shorter to avoid rail equipment controls.



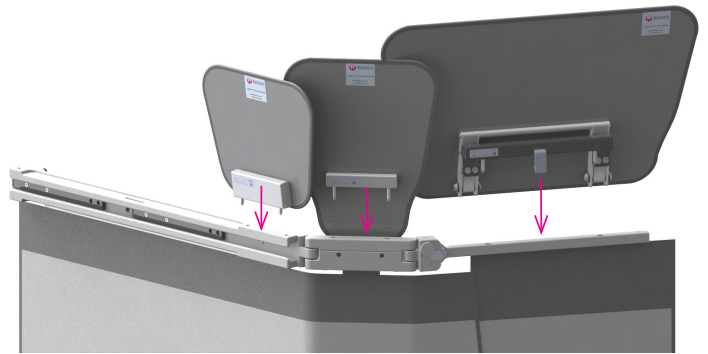
312/DS/3.32 – Lift-off top 57 cm wide



312/DS/3.30 – Lift-off top 27 cm wide



312/DS/3.41 – Lift-off top 27 cm wide (cropped)



Showing the location of 312/DS-039/6/3 top shields

### Fold-down tops

57 cm fold-down tops can be quickly folded away to aid patient access without the need to remove and locate the top elsewhere.

Fold-down/lift-off tops (as above) allow the top shield to be folded down or removed and relocated on an optionally available wall rack (see page 22).



312/DS/3.33 – Fold-down top 57 cm wide

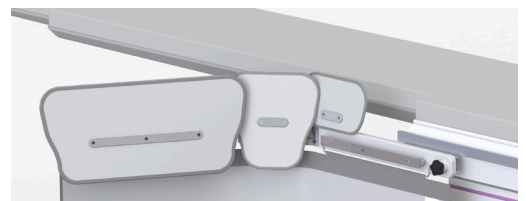
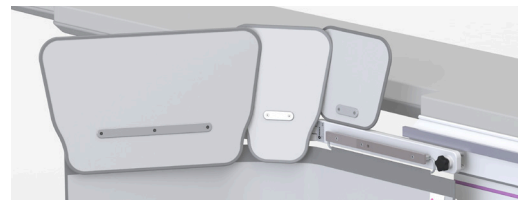
### Top shield sets

#### 312/E-025 Standard height set

Set of three standard height lift-off top shields. Height 25 cm above accessory rail  
Compatible with 312/E-020, 312/E-021, 312/E-022, 312/E-023, 312/DS-039/6 & variants.

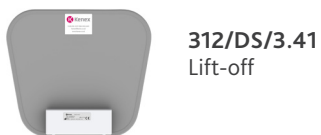
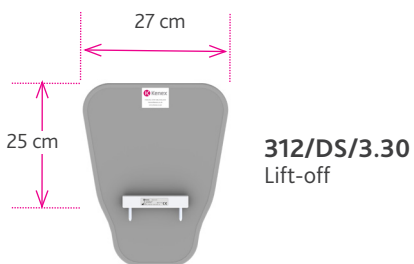
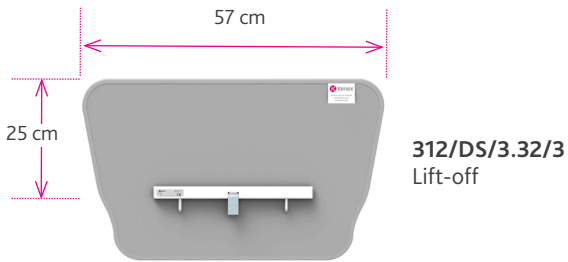
#### 312/E-027 Reduced height set

Set of three reduced height lift-off top shields. Height 15 cm above accessory rail  
Compatible with 312/E-020, 312/E-021, 312/E-022, 312/E-023, 312/DS-039/6 & variants.

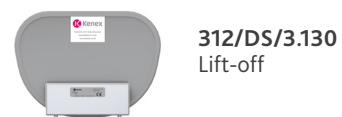
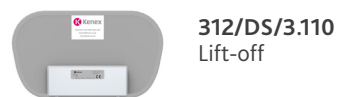
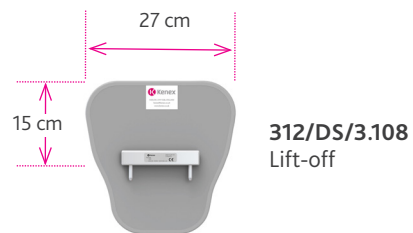
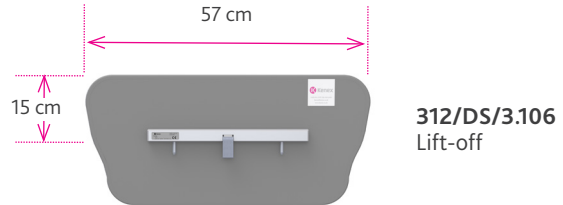




## Standard height tops



## Reduced height tops



## Top shield compatibility

● included with shield ○ compatible / optional extra ○ X2 two can be fitted

Product code	57 cm wide top shields							
	Lift-off (collision)		Lift-off		Fold-down (removable, not lift-off)		Fold-down / lift-off	
	Standard height 312/DS/3.32/3	Reduced height 312/DS/3.106	Standard height 312/DS/3.32	Reduced height 312/DS/3.128	Standard height 312/DS/3.33	Reduced height 312/DS/3.139	Standard height 312/DS/3.115	Reduced height 312/DS/3.167
<b>78 cm wide</b>								
312/E-005			○	○	○	○		
312/E-006			●	○	○	○		
312/E-007			○	○	●	○		
<b>92 cm wide</b>								
312/E-010			○	○	○	○		
312/E-011			●	○	○	○		
312/E-012			○	○	●	○		
<b>100 cm wide</b>								
312/E-015			○	○	○	○		
312/E-016			●	○	○	○		
312/E-017			○	○	●	○		
<b>114 cm wide</b>								
312/E-020			○	○	○	○		
312/E-021			●	○	○	○		
312/E-022			○	○	●	○		
<b>137 cm wide</b>								
312/DS-039/4			○	○			○	○
312/DS-039/4/3			○	○			●	○
312/DS-0412/4			●	○			○	○
<b>162 cm wide</b>								
312/DS-039/9			○	○			○	○
312/DS-039/9/4			○	○			●	○
<b>92 cm wide collision resilient</b>								
312/E-013			●	○			○	○
312/DS-008			○	○			○	○
312/DS-008/3			○	○			●	○
<b>114 cm wide collision resilient</b>								
312/E-023			●	○			○	○
<b>137 cm wide collision resilient</b>								
312/DS-039/6			○	○			○	○
312/DS-039/6/3			○	○			●	○
312/DS-0412/6			●	○			○	○
312/DS-060			○	○			○	○
312/DS-060/1/3			○	○			●	○
<b>162 cm wide collision resilient</b>								
312/DS-039/10			○	○			○	○
312/DS-039/10/4			○	○			●	○

Product code	27 cm wide top shields					
	Lift-off		Lift-off (cropped)		Lift-off (cropped)	
	Standard height 312/DS/3.30	Reduced height 312/DS/3.108	Standard height 312/DS/3.41	Reduced height 312/DS/3.110	Standard height 312/DS/3.122	Reduced height 312/DS/3.130
<b>78 cm wide</b>						
312/E-005	○	○				
312/E-006	○	○				
312/E-007	○	○				
<b>92 cm wide</b>						
312/E-010	○ x 2	○ x 2				
312/E-011	○ x 2	○ x 2				
312/E-012	○ x 2	○ x 2				
<b>100 cm wide</b>						
312/E-015			○	○		
312/E-016			○	○		
312/E-017			○	○		
<b>114 cm wide</b>						
312/E-020	○	○	○	○		
312/E-021	○	○	○	○		
312/E-022	○	○	○	○		
<b>137 cm wide</b>						
312/DS-039/4	○	○	○	○		
312/DS-039/4/3	●	○	●	○		
312/DS-0412/4	●	○	●	○		
<b>162 cm wide</b>						
312/DS-039/9	○ x 2	○ x 2	○	○		
312/DS-039/9/4	● x 2	○ x 2	●	○		
<b>92 cm wide collision resilient</b>						
312/E-013	○ x 2	○ x 2				
312/DS-008	○ x 2	○ x 2				
312/DS-008/3	● x 2	○ x 2				
<b>114 cm wide collision resilient</b>						
312/E-023	○	○	○	○		
<b>137 cm wide collision resilient</b>						
312/DS-039/6	○	○	○	○		
312/DS-039/6/3	●	○	●	○		
312/DS-0412/6	●	○	●	○		
312/DS-060	○	○			○	○
312/DS-060/1/3	●	○			●	○
<b>162 cm wide collision resilient</b>						
312/DS-039/10	○ x 2	○ x 2	○	○		
312/DS-039/10/4	● x 2	○ x 2	●	○		

## Head end shields

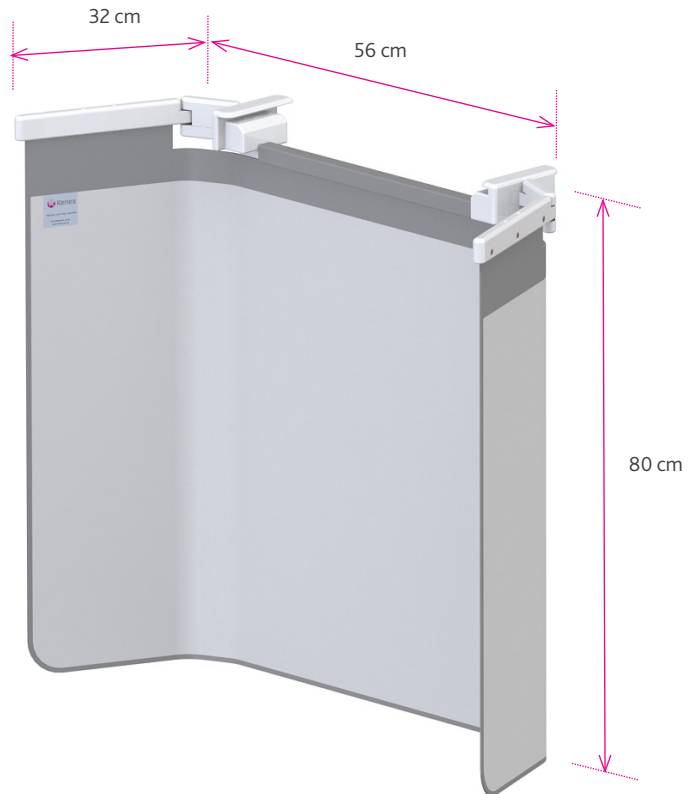
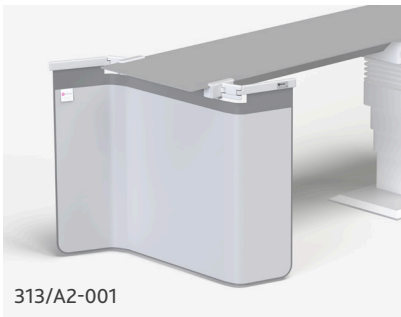
These lower body shields substantially reduce exposure to scatter radiation emanating from the table or patient's body. They comprise of a lightweight and durable structure supporting a flexible 0.5 mm lead equivalent curtain.

- The shield slides onto a carbon fibre table top and maintains its position even when the table is tilted.
- The pivotal side wings can be formed around the user, individually extended forward along the table side, or folded neatly away according to preference. The pivotal arms can be quickly repositioned to allow full C-arm movement.
- Each shield is manufactured to suit a specific table and can be provided with an optional wall storage rack if not already included. This allows the shield arms to be folded inwards to reduce wall space to a minimum.

Please specify size and make of table when ordering.  
A downloadable pdf measurement sheet is available on our website or by request.

### 313/A2 head end shields

consists of:  
1 x fixed middle section  
2 x pivotal side arms  
1 x 80 cm high curtain panel



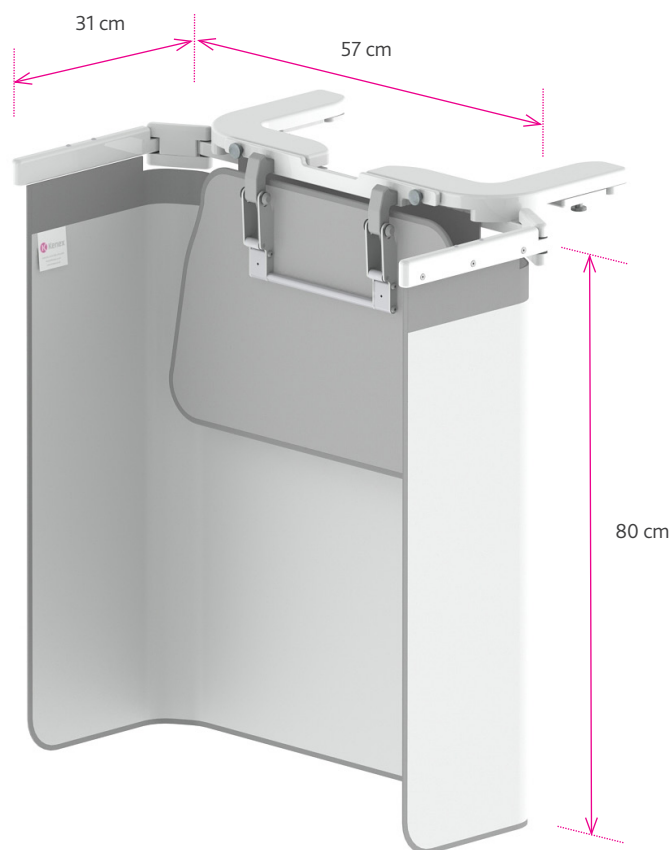
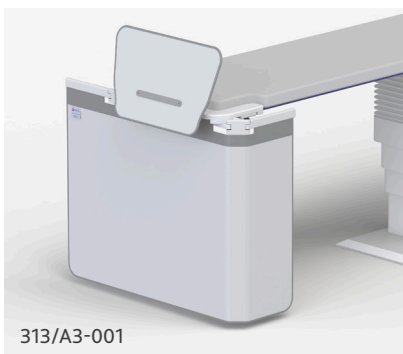
Product code	Wall rack
313/A2 (a measurement sheet will need to be completed)	○
313/A2-001 for use with a 525 mm wide Artis table or 520 mm wide TruSystem 7500 for Artis zee systems	●
313/A2-008 for use with a 550 mm wide Artis zee multipurpose (MP) table	●

● Included ○ Optional

### 313/A3 head end shield

consists of:

- 1 x fixed middle section
- 2 x pivotal side arms
- 1 x 80 cm high curtain panel
- 1 x 57 cm fold-down top



Product code	Wall rack	57 cm fold-down top shield
313/A3-001 for use with a 500 mm wide Allura AD7 table	○	●
313/A3-002 for use with a 500 mm wide Allura AD7 table - including wall rack	●	●

● Included ○ Optional

## > Upper foot end shields

This shield protects against scatter radiation and also helps protect against possible blood splashes during some interventional procedures.

- Designed for use across the table towards the foot end.
- Fits onto both 25 mm high tableside accessory rails (7.7 - 10 mm thick).
- Approximate height 90 cm (dependent upon make of table\*).
- Lead equivalent protection throughout: 0.5 mm.

Please specify size and make of the table.

A downloadable pdf measurement sheet is available on our website or by request.

### 311/TC/004 upper foot end table shield

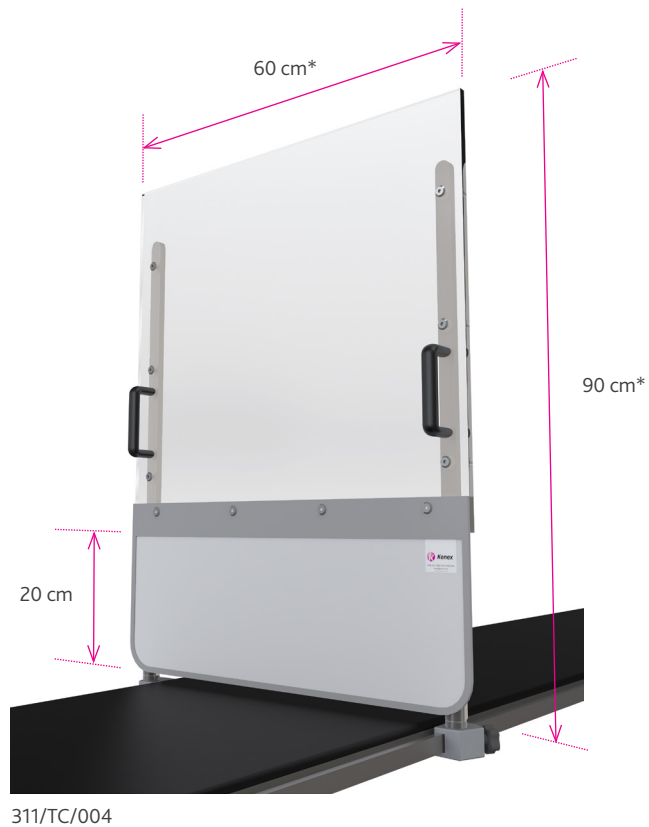
consists of:

1 x lead acrylic window, approximate size:

height 60 cm x width 80 cm (dependent upon make of table\*)

1 x flexible curtain panel suspended below acrylic, height 20 cm

2 x handles for positioning



## > Table shielding storage

### 312/W-LBT wall rack set

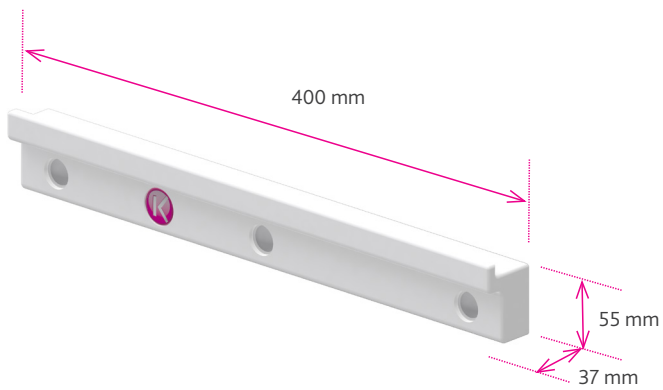
Wall rack set that consists of:  
1 x 312/W-LB (see below)  
1 x 312/W-TOP (see page 22)



### 312/W-LB wall rack

These racks provide a convenient storage location when shields are removed from the table side.

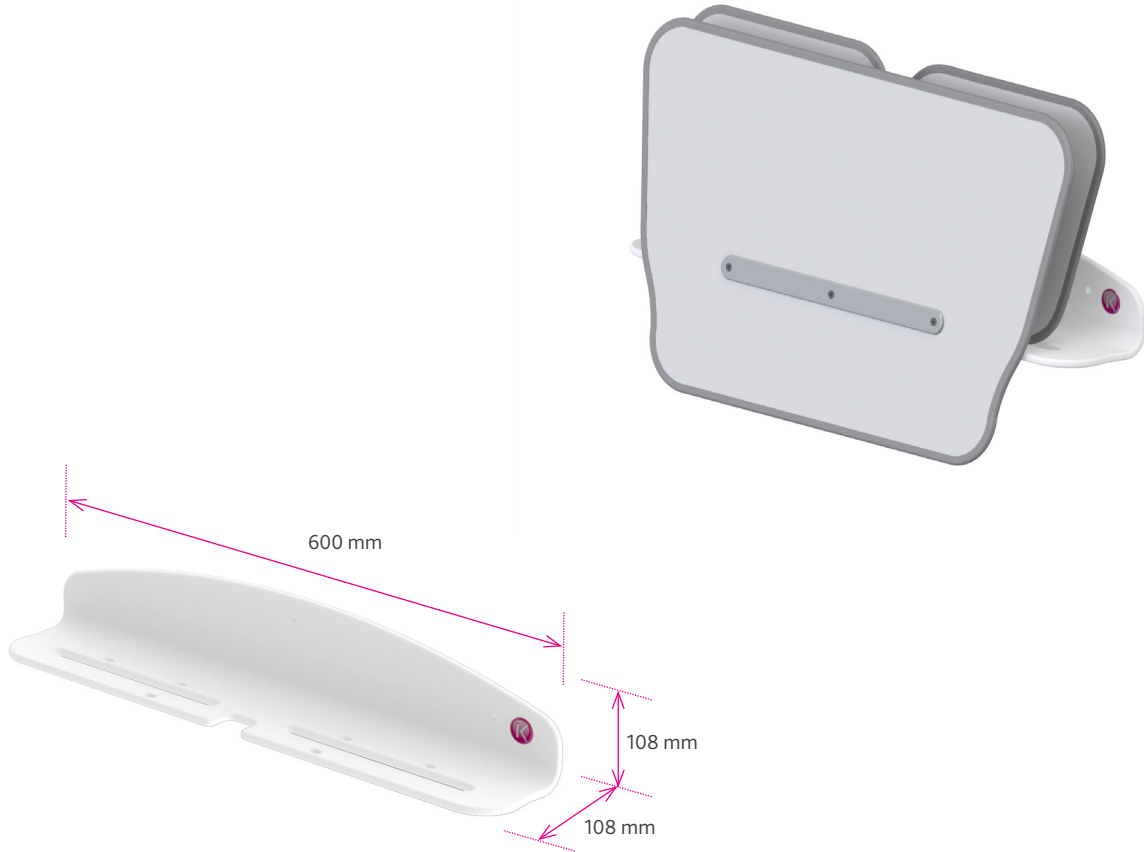
Wall rack for:  
1 x Kenex lower body shield (type 312)



## 312/W-TOP wall rack

These racks provide a convenient storage location for top shields when they are removed from the tableside.

Wall rack for:  
 1 x 57 cm wide top shield  
 2 x 27 cm wide top shields



Compatibility - 57 cm wide top shields

Product code	Lift-off (collision)		Lift-off		Fold-down (removable, not lift-off)		Fold-down / lift-off	
	Standard height 312/DS/3.32/3	Reduced height 312/DS/3.106	Standard height 312/DS/3.32	Reduced height 312/DS/3.128	Standard height 312/DS/3.33	Reduced height 312/DS/3.139	Standard height 312/DS/3.115	Reduced height 312/DS/3.167
Wall rack 312/W-TOP	○	○	○	○			○	○

○ Compatible

Compatibility - 27 cm wide top shields

Product code	Lift-off		Lift-off (cropped)		Lift-off (cropped)	
	Standard height 312/DS/3.30	Reduced height 312/DS/3.108	Standard height 312/DS/3.41	Reduced height 312/DS/3.110	Standard height 312/DS/3.122	Reduced height 312/DS/3.130
Wall rack 312/W-TOP	○	○	○	○	○	○

○ Compatible

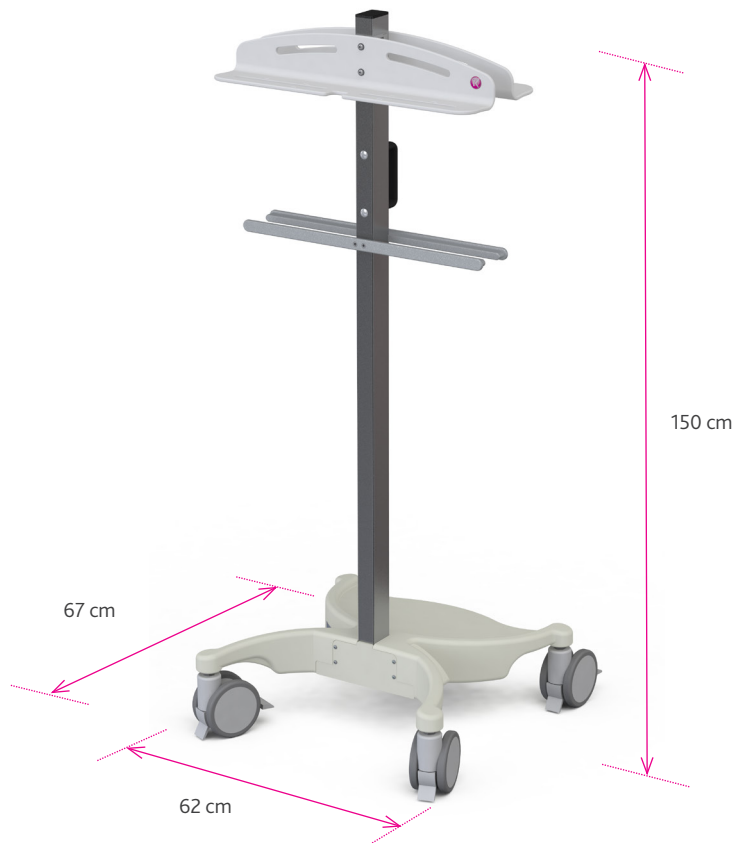


## 1342/A2 mobile racks

A mobile rack that is ideal for use in departments where space for wall storage racks is restricted or unsuitable. It occupies a small floor area when shields are parked and folded, and has large lockable castors which include front guards to push aside any floor cables. Its heavy, easy rolling base safeguards against toppling even when fully loaded.

### 1342/A2/E

Mobile rack for:  
 1 x table shield (type 312)  
 1 x set of top shields (1 x 57 cm & 2 x 27 cm)  
 1 x head end shield (type 313, please specify model when ordering)



### 1342/A2/F

Mobile rack for:  
 2 x lower body shields (type 312)  
 2 x top shield sets (2 x 57 cm & 4 x 27 cm)



Product code	Compatibility		
	Lower body shield (type 312)	Head end shield (type 313)	Top shield set (1 x 57 cm & 2 x 27 cm)
1342/A2/E (specify head end model when ordering)	○	○	○
1342/A2/E-001 compatible with head end shields 313/A2-001 and 313/A2-008	○	○	○
1342/A2/F	○ x 2		○ x 2 sets

○ Compatible

# > Terms and conditions

## Acceptance of orders

Orders are accepted subject to the following business terms and conditions: -

## Price list

All prices listed are in GB Pounds Sterling, are provisional only and are subject to alteration without notice. Unless otherwise agreed, prices are for goods EX WORKS Harlow (EXW) in accordance with the International Chamber of Commerce (ICC) trade terms: Incoterms 2020. Prices are exclusive of VAT. VAT if applicable will be charged at the current rate.

## Terms of payment

Credit accounts are strictly net payable within 30 days of invoice date.

## Carriage

As a general rule carriage will be charged at cost, with shipments made at the purchaser's risk. If transport insurance is requested and undertaken it will be charged to the purchaser as an additional cost. Unless we are given specific instructions we select the manner and route of shipment.

## Damage or loss in transit

Any claim made concerning damage or shortages must be made in writing to us within 3 days of delivery of the goods. Any claim for non-delivery must be made in writing to us within 14 days from the date of our invoice. Original packaging must be retained.

## Retention of title

Notwithstanding that delivery of the goods has been made, they remain the property of Kenex until payment is made in full.

## Time of delivery

Every effort will be made to adhere to quoted delivery times. However, no liability can be accepted for any losses incurred by the purchaser for a failure to deliver within the stated period. Delays shall not entitle the purchaser to cancel the order nor to claim damages. We reserve the right to make partial deliveries.

## Guarantee

We will make good at our discretion by repair or by the supply of a replacement, defects that appear in the goods of our manufacture and arise solely from faulty workmanship or materials, provided that the goods are returned to us carriage paid within one year from the date of delivery. Goods subject to fair wear & tear, misuse or inadequate maintenance are excluded. Any claim under this guarantee shall be limited to the cost of the goods.

## Limitation of liability

Other than the statements made in Kenex literature, no warranty is expressed or implied as to the suitability of any product for any purpose. Purchasers must satisfy themselves on this point. Persons authorised to select or use Kenex X-ray protective garments, shields or other products must be aware of the dangers of exposure to radiation.

## Specifications & descriptions

Technical data, dimensions, weights and illustrations are typical and not binding. Kenex reserve the right to improve or amend any product without notice.

## Patents, trademarks, copyright and designs

Kenex is a registered trademark of Kenex (Electro-Medical) Limited. Kenex products are covered by patents and/or registered designs. Copyright: All rights reserved. No part of this publication may be reproduced without prior written permission.



## Quality management systems and certification

Kenex is compliant and certified according to the following regulations and standards regarding design and manufacture of medical devices: -

2017/745 Medical device regulation (MDR)  
2016/425 Personal protective equipment (PPE)  
BS EN ISO 13485:2016 (Quality management systems for medical devices)  
BS EN 61331-1:2014 (Determination of x-ray attenuation properties)  
BS EN 61331-2:2014 (Translucent protective plates)  
BS EN 61331-3:2014 (X-ray protective clothing)  
BS EN 60601-1:2021 (Medical electrical equipment – basic safety and essential performance)

Quality management systems audited by SGS UK Limited.



Kenex (Electro-Medical) Limited was established in 1970





Kenex (Electro-Medical) Limited  
Unit 17, RO24 Greenway  
Harlow Business Park  
Harlow, Essex  
CM19 5QB  
England

T: +44 (0)1279 417241  
E: [kenex@kenex.co.uk](mailto:kenex@kenex.co.uk)  
[www.kenex.co.uk](http://www.kenex.co.uk)

